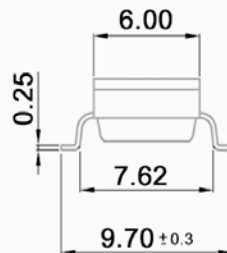
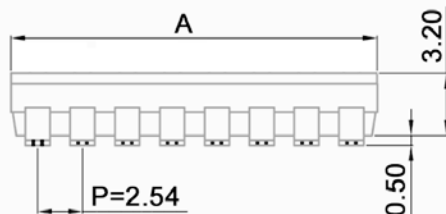
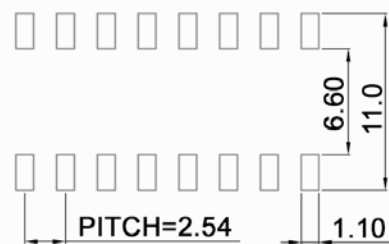


P.C.B. LAYOUT



PART No.	POLE	A ±0.2
SBS 9001 T	1	2.98
SBS 9002 T	2	5.52
SBS 9003 T	3	8.06
SBS 9004 T	4	10.60
SBS 9005 T	5	13.14
SBS 9006 T	6	15.68
SBS 9007 T	7	18.22
SBS 9008 T	8	20.76
SBS 9009 T	9	23.30
SBS 9010 T	10	25.84
SBS 9012 T	12	30.92

Specifications:

- Contact rating: non switching: 100mA, 50V DC
switching: 25mA, 24V DC
- Contact resistance: 50mOhm max.
- Insulation resistance: 100MOhm min. at 500V DC
- Dielectric strength: 500V DC for 1 minute
- Operating temperature: -40°C to +85°C
- Storage temperature: -40°C to +85°C
- Operating force: 100 - 250gf
- Mechanical life: 5 000 cycles
- Resistance to soldering heat: 260°C +/-10°C (switches in OFF position)

RoHS compliant

Material:

- Cover / base: PPS UL94V-0, black
Actuator: PA46 UL94V-0, white
Movable contacts: copper alloy, 1µ inches gold-flash over 20µ inches nickel
Terminal contacts: brass, 1µ inches gold-flash over 30µ inches nickel
Terminal: brass, 1µ inches gold-flash over 20µ inches nickel

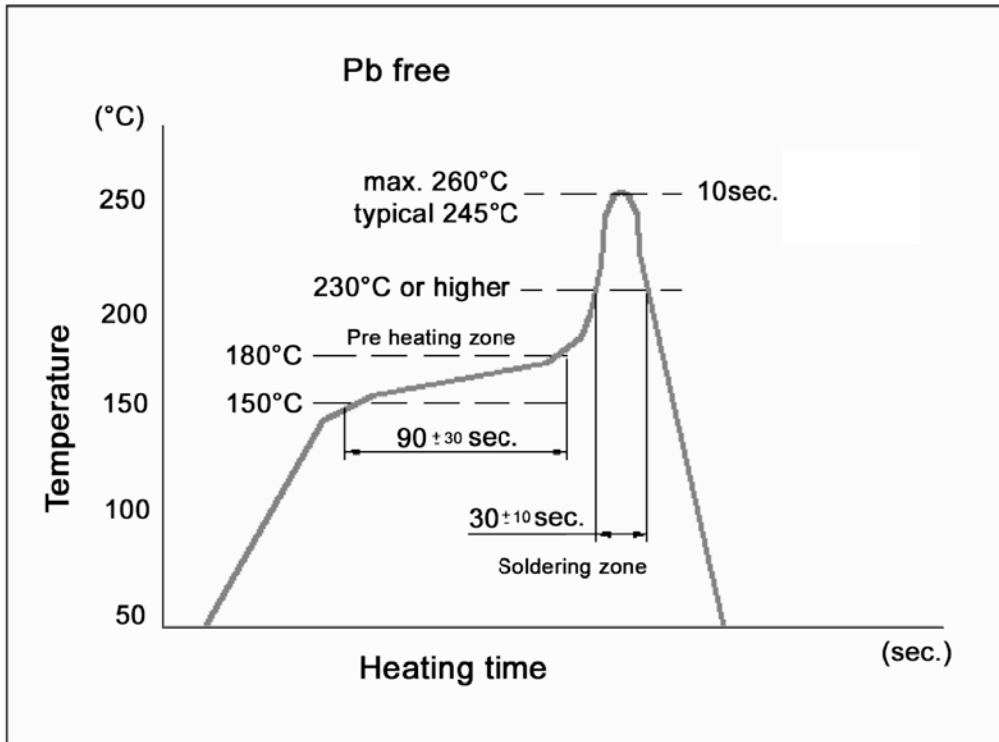
Maßstab		Datum	Name
Oberfläche		07/06	dr
Actuator	03/09	dr	knitter-switch
Zust	Änderung	Datum	

SBS 9000 T

30 09 36

Blatt
1/3

SOLDERING PROFILE:



Maßstab	Datum	Name	
Oberfläche	07/06	dr	
Zust	Änderung	Datum	Name

SBS 9000 T

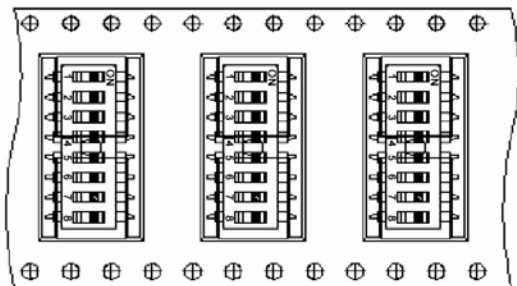
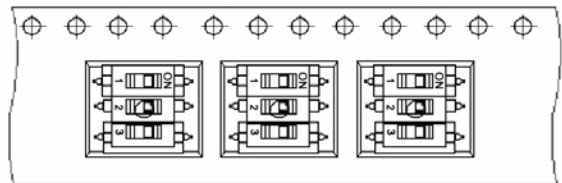
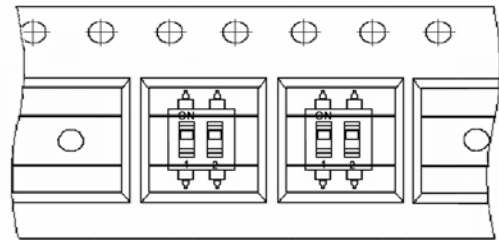
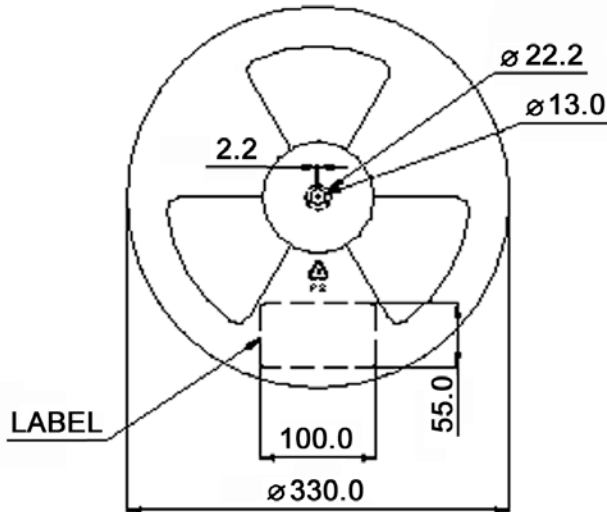
30 09 36

Blatt

2/3

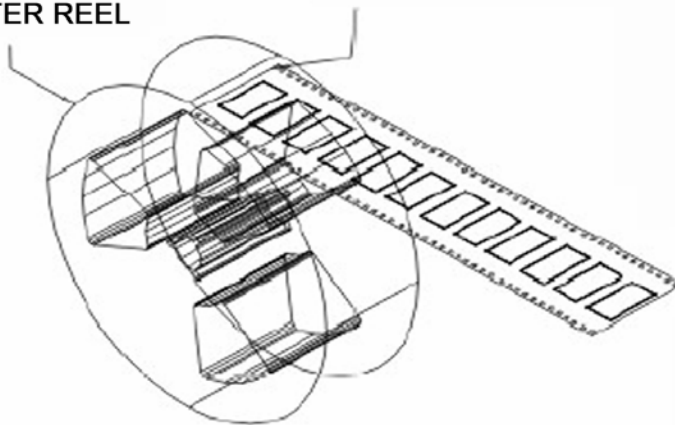
knitter-switch

Taping specification:



13 INCH
DIAMETER REEL

CONDUCTIVE
PLASTIC EMBOSSED
TAPE



Part No.	Pcs. per reel	Carrier pitch (mm)	Carrier width (mm)
SBS 9002 T	2000	8	16
SBS 9003 T	1000	16	16
SBS 9004 T	1000	16	24
SBS 9005 T	1000	16	24
SBS 9006 T	1000	16	24
SBS 9007 T	1000	16	32
SBS 9008 T	1000	16	32
SBS 9009 T	1000	16	44
SBS 9010 T	1000	16	44
SBS 9012 T	1000	16	44

Maßstab	Datum	Name	
Oberfläche	07/06	dr	
Zust	Änderung	Datum	Name

SBS 9000 T

30 09 36

Blatt

3/3

knitter-switch