

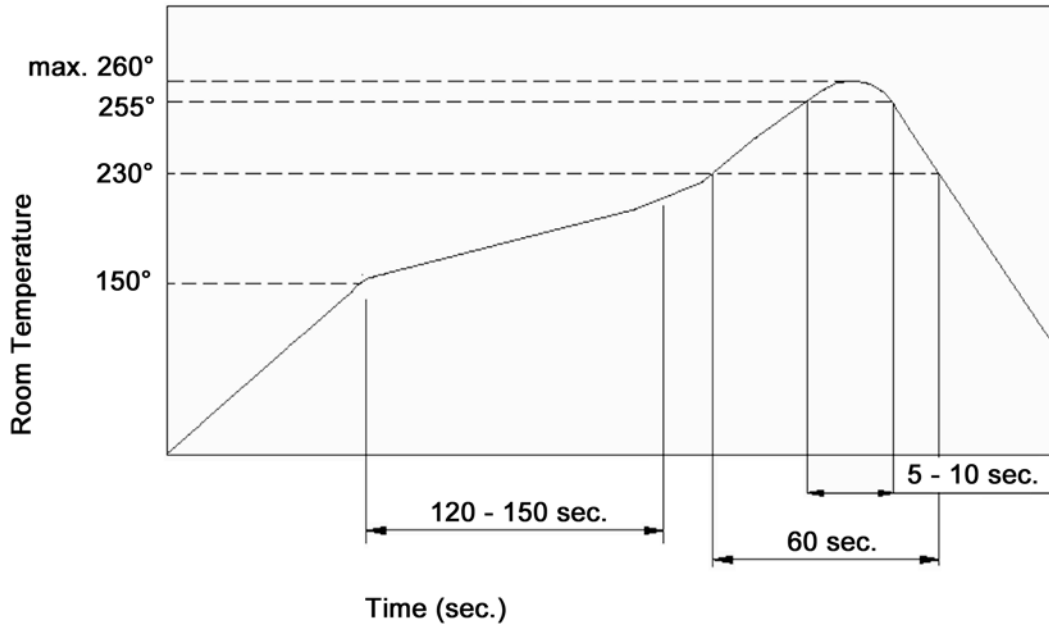
Series	Poles	Length A (mm)
SBS 1002	2	6.02
SBS 1003	3	8.56
SBS 1004	4	11.10
SBS 1005	5	13.64
SBS 1006	6	16.18
SBS 1007	7	18.72
SBS 1008	8	21.26
SBS 1009	9	23.80
SBS 1010	10	26.34

Specifications:

Contact rating: switching: 24V DC, 25mA / 6V DC, 100mA
 non-switching: 50V DC, 100mA
Contact resistance: 50mOhm max.
Insulation resistance: 100MOhm min. at 500V DC
Dielectric strength: 500V, 50Hz for the duration of 1 minute
Operating temperature: -20°C to +85°C
Storage temperature: -40°C to +85°C
Mechanical life: min. 2 000 cycles
Slide position: off
Construction: case sealed, slides recessed, front sealed with protective tape
Mounting: on pc-board-SMD
Material: PPS meets UL94V-0
Terminals / contact: gold plating 10u" over nickel 30-100 u"
 RoHS compliant

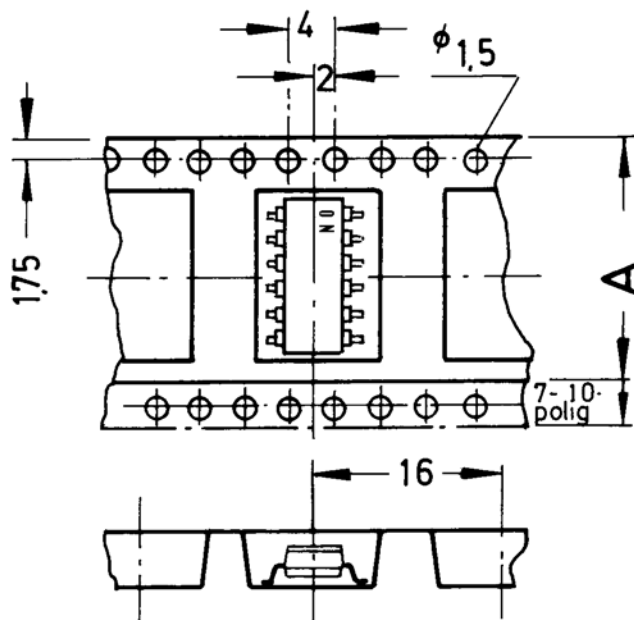
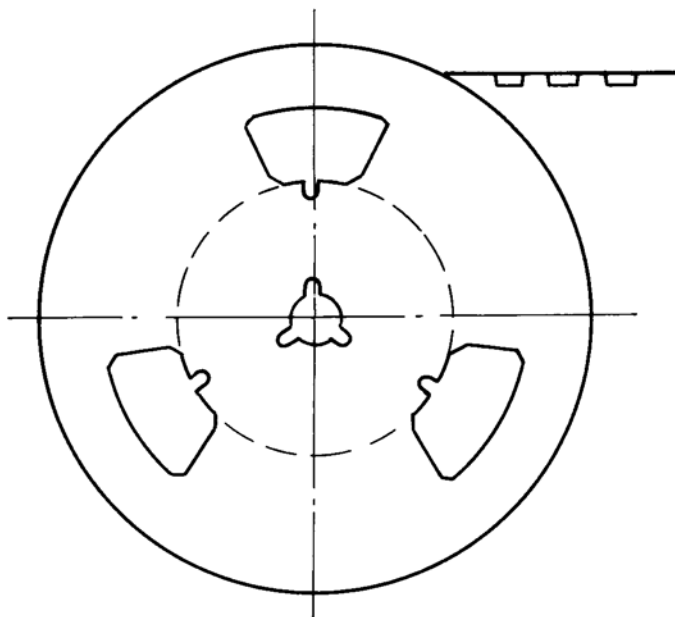
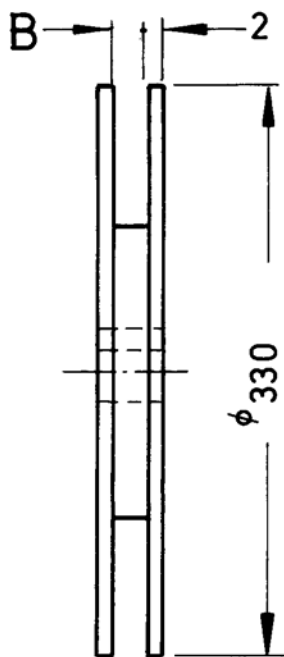
Maßstab		Datum	Name	SBS 1000 TG
Oberfläche		04/06	dr	
			knitter-switch	30 08 41
Packaging	04/06	dr		Blatt
Zust	Änderung	Datum	Name	1/3

Soldering profile:



- The condition mentioned above is the temperature on the Cu foil of the P.C.B. surface. There are cases where board's temperature greatly differs from switch's surface temperature depending on board's material, size, thickness, etc. Care, therefore, should be used not to allow switch's surface temperature to exceed 260°C.
- Reflow soldering: 230°C, 60sec. max.
peak temperature: 260°C

Maßstab		Datum	Name	SBS 1000 TG
Oberfläche		04/06	dr	
				30 08 41
			knitter-switch	Blatt
				2/3
Zust	Änderung	Datum	Name	



Type	B	A	pcs. / reel
1002	17,5	16,0	900
1003	25,5	24,0	900
1004	25,5	24,0	900
1005	25,5	24,0	900
1006	25,5	24,0	900
1007	33,5	32	900
1008	33,5	32	900
1009	45,5	44	900
1010	45,5	44	900

Maßstab		Datum	Name	SBS 1000 TG
Oberfläche		04/06	dr	
		knitter-switch		30 08 41
Zust	Änderung	Datum	Name	Blatt 3/3