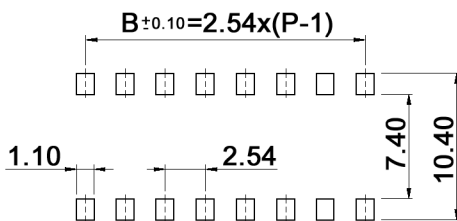


P.C.B. LAYOUT



Part No.	Poles	A	B
SBS 1002 TG-ON	2	6.02	2.54
SBS 1003 TG-ON	3	8.56	5.08
SBS 1004 TG-ON	4	11.10	7.62
SBS 1005 TG-ON	5	13.64	10.16
SBS 1006 TG-ON	6	16.18	12.70
SBS 1007 TG-ON	7	18.72	15.24
SBS 1008 TG-ON	8	21.26	17.78
SBS 1009 TG-ON	9	23.80	20.32
SBS 1010 TG-ON	10	26.34	22.86
SBS 1012 TG-ON	12	31.42	27.94

Specifications:

- Contact rating:** non-switching: 100mA, 50V DC
switching: 25mA, 24V DC
- Contact resistance:** 50mOhm max.
- Insulation resistance:** 100MOhm min. at 500V DC
- Dielectric strength:** 500V AC for 1 minute
- Operating temperature:** -20°C to +85°C
- Storage temperature:** -40°C to +85°C
- Mechanical life:** 2 000 cycles
- Operating force:** 1 000gf max.
- Soldering conditions:** wave soldering: 260°C max., 5sec.
- Stroke:** 1.0mm
- Material:** Base / cover: UL94V-0 PPS high-temp. thermoplastic, black
Actuator: UL94V-0 nylon high-temp. thermoplastic, white
Contact: alloy copper, gold plated
Terminal: brass, gold plated
Contact plating: gold plated over nickel
Terminal plating: gold plated
Tape: kapton



Tolerances:	Date	Name
	05/06	dr
Packaging	10/10	dr
Modifications	Date	Name

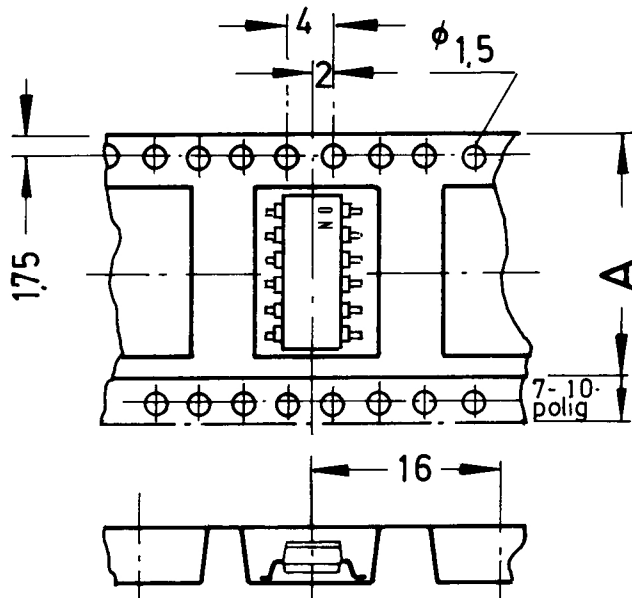
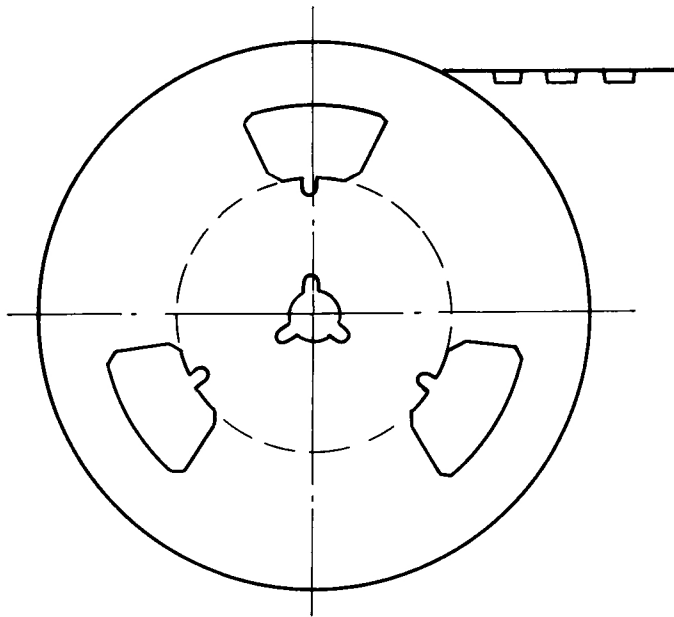
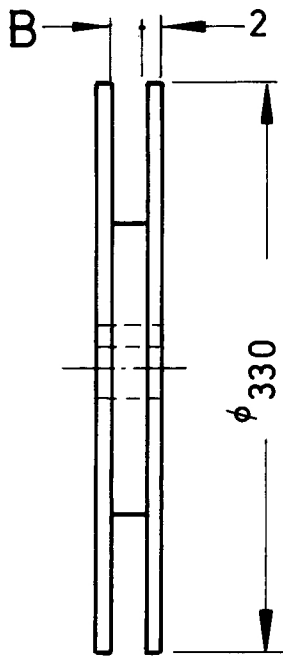
SBS 1000 TG-ON

knitter-switch

30 08 92

Page

1/3



Part No.	A	B	pcs. / reel
SBS 1002 TG-ON	16.0	17.5	900
SBS 1003 TG-ON	24.0	25.5	900
SBS 1004 TG-ON	24.0	25.5	900
SBS 1005 TG-ON	24.0	25.5	900
SBS 1006 TG-ON	24.0	25.5	900
SBS 1007 TG-ON	32.0	33.5	900
SBS 1008 TG-ON	32.0	33.5	900
SBS 1009 TG-ON	44.0	45.5	900
SBS 1010 TG-ON	44.0	45.5	900
SBS 1012 TG-ON	44.0	45.5	900



Tolerances:	Date	Name
	05/06	dr
Modifications	Date	Name

SBS 1000 TG-ON

knitter-switch

30 08 92

Page

3/3