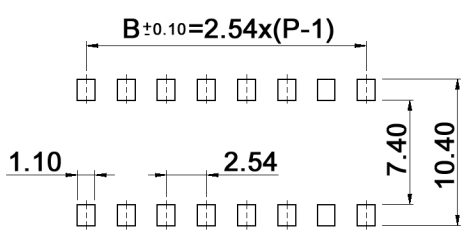


P.C.B. LAYOUT



Part No.	Poles	A	B
SBS 1002 T-ON	2	6.02	2.54
SBS 1003 T-ON	3	8.56	5.08
SBS 1004 T-ON	4	11.10	7.62
SBS 1005 T-ON	5	13.64	10.16
SBS 1006 T-ON	6	16.18	12.70
SBS 1007 T-ON	7	18.72	15.24
SBS 1008 T-ON	8	21.26	17.78
SBS 1009 T-ON	9	23.80	20.32
SBS 1010 T-ON	10	26.34	22.86
SBS 1012 T-ON	12	31.42	27.94

Specifications:

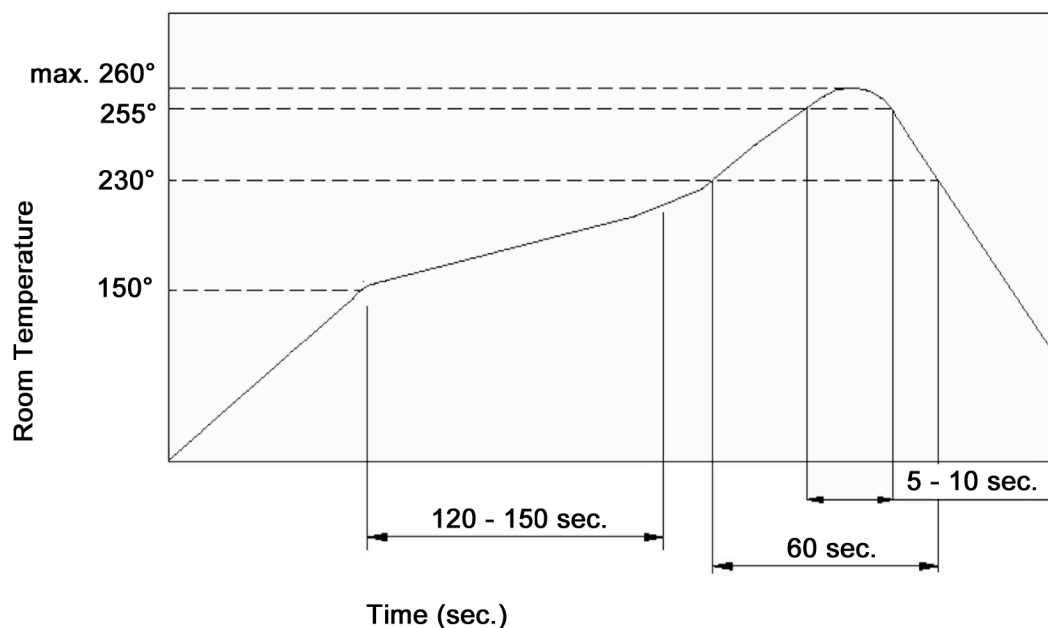
- Contact rating:** non-switching: 100mA, 50V DC
switching: 25mA, 24V DC
- Contact resistance:** 50mOhm max.
- Insulation resistance:** 100MOhm min. at 500V DC
- Dielectric strength:** 500V AC for 1 minute
- Operating temperature:** -20°C to +85°C
- Storage temperature:** -40°C to +85°C
- Mechanical life:** 2 000 cycles
- Operating force:** 1 000gf max.
- Soldering conditions:** wave soldering: 260°C max., 5sec.
- Stroke:** 1.0mm
- Material:** Base / cover: UL94V-0 PPS high-temp. thermoplastic, black
Actuator: UL94V-0 nylon high-temp. thermoplastic, white
Contact: alloy copper, gold plated
Terminal: brass, gold plated
Contact plating: gold plated over nickel
Terminal plating: gold plated
Tape: kapton



Tolerances:	Date	Name	<h1>SBS 1000 T-ON</h1>
	10/10	dr	
			<h2>30 22 01</h2>
			Page
			1/3
Modifications	Date	Name	

knitter-switch

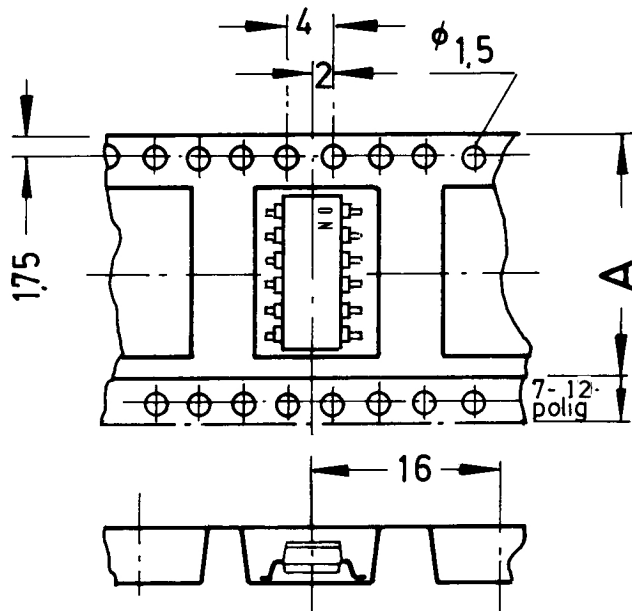
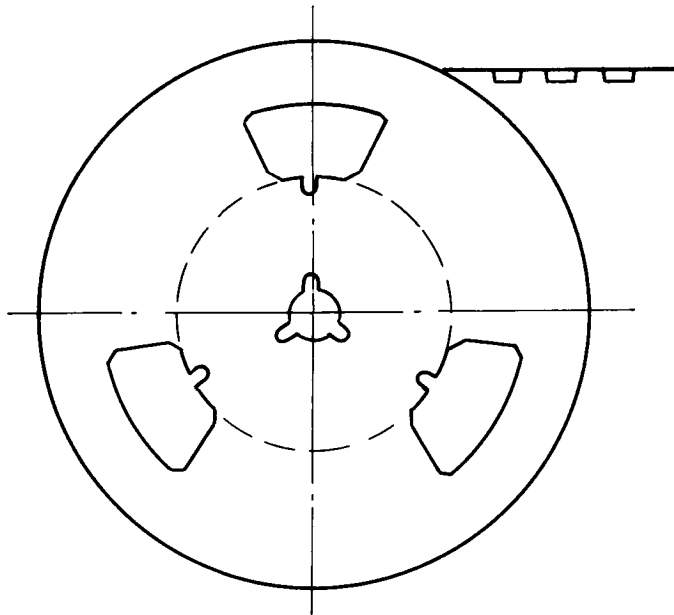
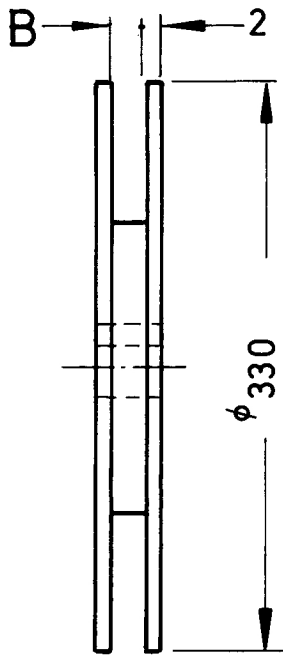
Soldering profile:



- The condition mentioned above is the temperature on the Cu foil of the P.C.B. surface. There are cases where board's temperature greatly differs from switch's surface temperature depending on board's material, size, thickness, etc. Care, therefore, should be used not to allow switch's surface temperature to exceed 260°C.
- Reflow soldering: 230°C, 60sec. max.
peak temperature: 260°C



Tolerances:			Date	Name	<h1>SBS 1000 T-ON</h1>
			10/10	dr	
			knitter-switch		<h2>30 22 01</h2>
Modifications			Date	Name	Page 2/3



Part No.	A	B	pcs. / reel
SBS 1002 T-ON	16.0	17.5	900
SBS 1003 T-ON	24.0	25.5	900
SBS 1004 T-ON	24.0	25.5	900
SBS 1005 T-ON	24.0	25.5	900
SBS 1006 T-ON	24.0	25.5	900
SBS 1007 T-ON	32.0	33.5	900
SBS 1008 T-ON	32.0	33.5	900
SBS 1009 T-ON	44.0	45.5	900
SBS 1010 T-ON	44.0	45.5	900
SBS 1012 T-ON	44.0	45.5	900



Tolerances:	Date	Name
	10/10	dr
Modifications	Date	Name

SBS 1000 T-ON

knitter-switch

30 22 01

Page

3/3