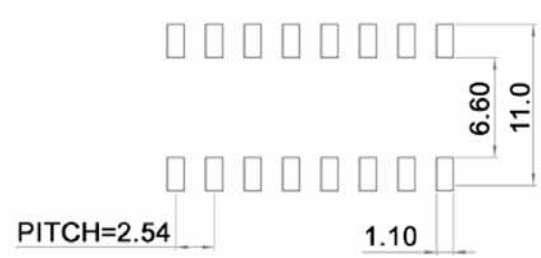


P.C. LAYOUT



Part No.	A ^{+0.2}
SBP 9202 T	6.00
SBP 9203 T	8.72
SBP 9204 T	11.90
SBP 9205 T	14.44
SBP 9206 T	16.98
SBP 9207 T	19.52
SBP 9208 T	22.06
SBP 9210 T	27.14

Specifications:

- Contact rating: 100mA, 50V DC
- Contact resistance: 50mOhm max.
- Insulation resistance: 100MOhm min. at 500V DC
- Dielectric strength: 500V DC for 1 minute
- Operating temperature: -40°C to +85°C
- Storage temperature: -40°C to +85°C
- Mechanical life: 3 000 cycles
- Electrical life: 3 000 cycles
- Operating force: 600g max.
- Resistance to soldering heat: 255 +/-5°C, 5 +/-1sec.

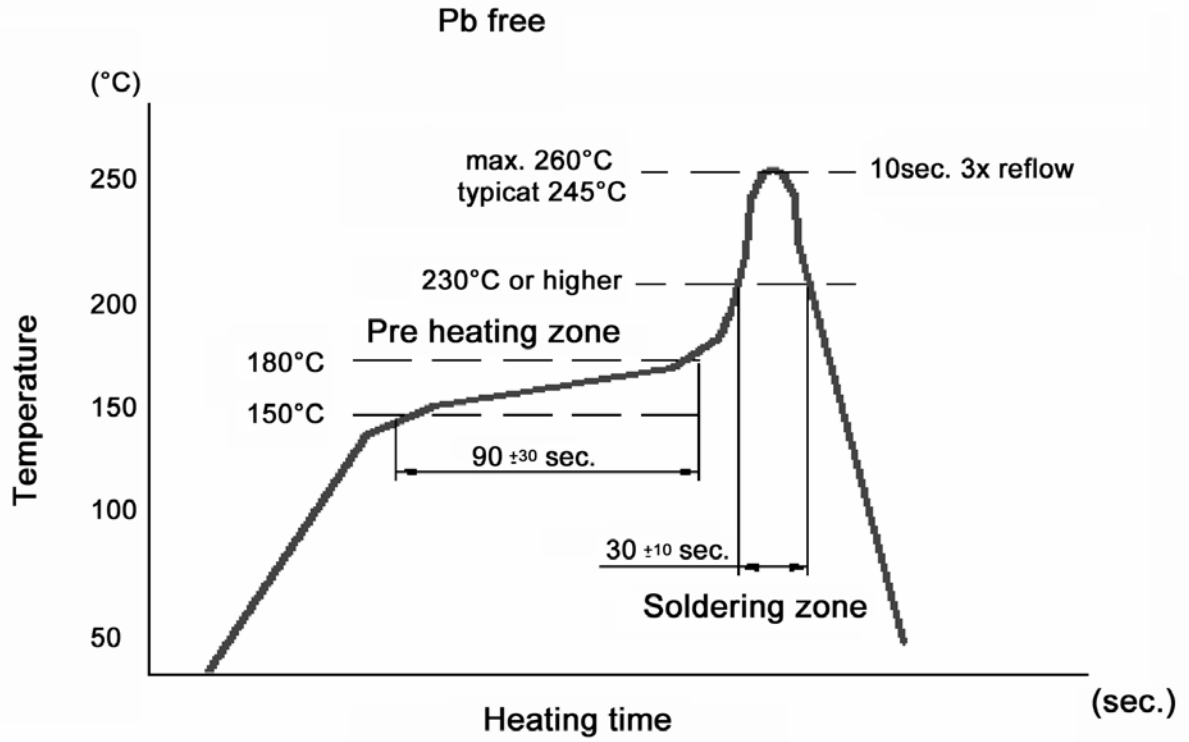
RoHS compliant

Material:

Cover / base: UL94V-0, thermal polyester plus 25-30% glassfiber, black
 Actuators: UL94V-0, thermal polyester plus 5-30% glassfiber, white
 Movable contacts: copper alloy, 1µ inches gold plated over 30µ inches nickel
 Terminal / contact: brass, 3µ inches gold plated over 30µ inches nickel

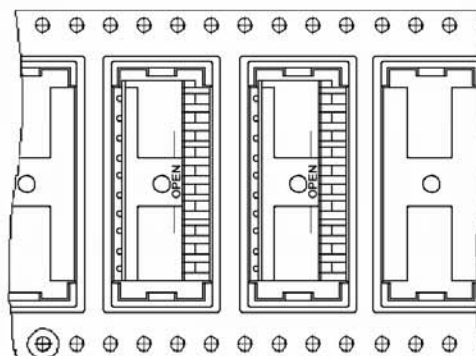
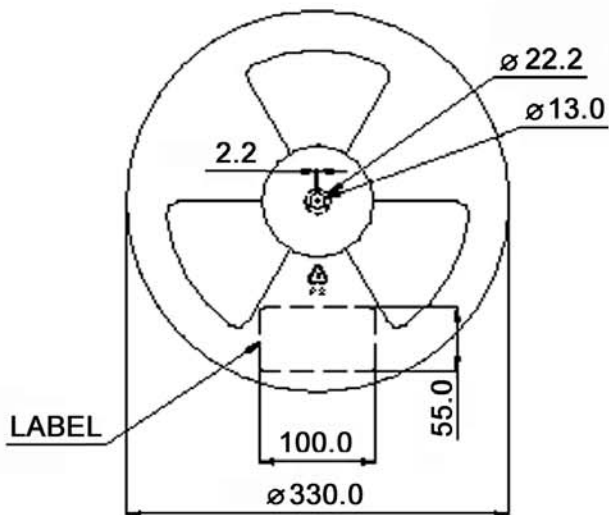
Maßstab		Datum	Name	<h1>SBP 9200 T</h1>
Oberfläche		02/06	dr	
		knitter-switch		<h1>30 07 85</h1>
Zust		Datum	Name	Blatt 1/3

Soldering profile:



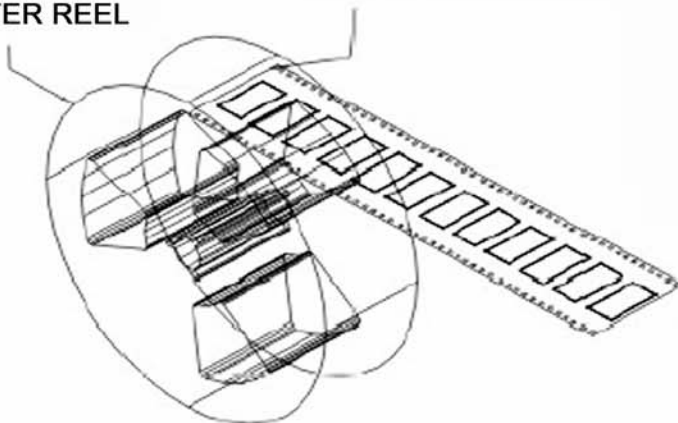
Maßstab		Datum		Name		SBP 9200 T	
Oberfläche		02/06		dr			
Zust	Änderung	Datum	Name	knitter-switch		30 07 85	
							Blatt
							2/3

Taping specification:



CONDUCTIVE
PLASTIC EMBOSSED
TAPE

13 INCH
DIAMETER REEL



Part No.	Pcs. per reel	Carrier pitch	Carrier width
SBP 9202 T	700	12	24
SBP 9203 T	500	16	24
SBP 9204 T	500	16	24
SBP 9205 T	500	16	24
SBP 9206 T	500	16	24
SBP 9207 T	500	16	44
SBP 9208 T	500	16	44
SBP 9210 T	500	16	44

Maßstab	Datum	Name	
Oberfläche	02/06	dr	
Zust	Änderung	Datum	Name

SBP 9200 T

30 07 85

Blatt
3/3

knitter-switch