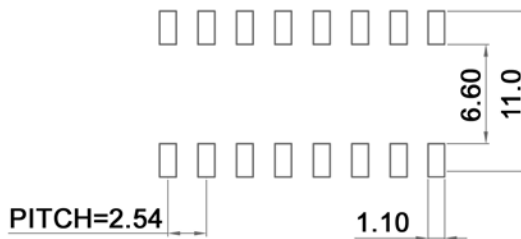


P.C. LAYOUT



Part No.	A ±0.2
SBP 9102 T	6.08
SBP 9103 T	8.62
SBP 9104 T	11.16
SBP 9105 T	13.70
SBP 9106 T	16.24
SBP 9107 T	18.78
SBP 9108 T	21.32
SBP 9110 T	26.40
SBP 9112 T	31.48

Specifications:

Contact rating: 25mA, 24V DC
 Contact resistance: 50mOhm
 Insulation resistance: 1 000MOhm at 100V DC
 Dielectric strength: 500V DC for 1 minute
 Operating force: 1 000g max.
 Mechanical life: 3 000 cycles
 Electrical life: 2 000 cycles
 Operating temperature: -40°C to +85°C

RoHS compliant

Material:

Cover / base: high temperature UL94V-0 thermoplastic, black
 Actuator: high temperature UL94V-0 thermoplastic, white
 Movable contact: copper alloy, gold plated
 Terminal: copper alloy, tin plated

Maßstab	Datum	Name
Oberfläche	08/05	dr
Marking	09/07	dr
Mechan. charac.	03/07	dr
Temperature	10/06	dr
Part No.	08/06	dr
Taping spec.	01/06	dr
Soldering profile	11/05	dr
Zust	Änderung	Datum
		Name

SBP 9100 T

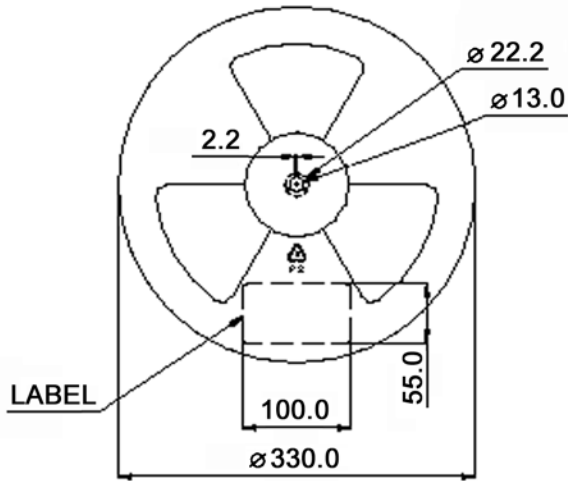
30 06 70

Blatt

1/3

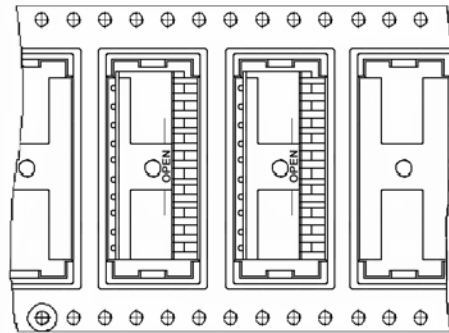
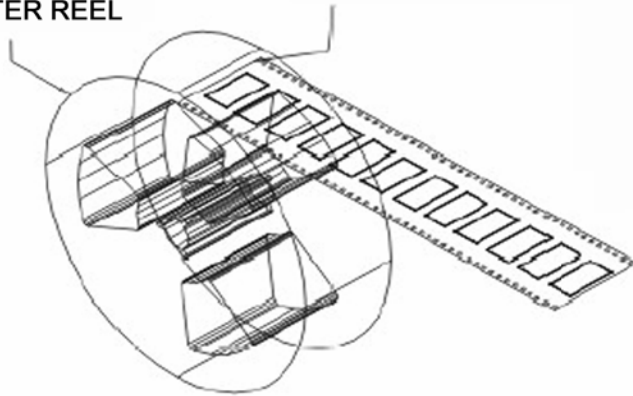
knitter-switch

Taping specification:



13 INCH
DIAMETER REEL

CONDUCTIVE
PLASTIC EMBOSSED
TAPE



Part No.	Pcs. per reel	Carrier pitch	Carrier width
SBP 9102 T	700	12	24
SBP 9103 T	500	16	24
SBP 9104 T	500	16	24
SBP 9105 T	500	16	24
SBP 9106 T	500	16	24
SBP 9107 T	500	16	24
SBP 9108 T	500	16	44
SBP 9110 T	500	16	44
SBP 9112 T	500	16	44

Maßstab	Datum	Name	
Oberfläche	08/05	dr	
Zust	Änderung	Datum	Name

SBP 9100 T

30 06 70

Blatt

3/3

knitter-switch