

# MZMEx

Actuator type

Number of Poles

Switching function

Contact Material

Terminals

Special Option

MZME

1

2

3

Silver

Gold

Gold over silver

Solder lugs

PC terminals

Right angle

Vertical mount

Bracket with support bracket

Snap in with Snap in terminals

Actuator

short, standard

T1 long

ESD short, ESD proof

T1 ESD long, ESD proof

Maßstab				Datum	Name	MZMEx - Serie	low cost sealed toggle switches
Oberfläche							
						30 07 90	Blatt
							1/8
Zust	Änderung	Datum	Name	knitter-switch			

## Specifications:

**Contact rating:** Depending on contact material  
**Contact resistance:** 10mOhm max. at 2-4V DC  
 100mA for both silver and gold plated contacts  
**Insulation resistance:** 1 000MOhm min.  
**Dielectric strength:** 1 000V RMs  
**Operating temperature:** -30°C to +85°C  
**Electrical life:** 30 000 make-and-break cycles at full load

### Materials:

**Case / bushing:** glass filled nylon 66, flame retardant, heat stabilized (UL94V-0)  
**Actuator:** brass, chrome plated  
 or glass filled nylon (ESD proof) with internal O-ring seal standard  
**Switch support:** brass or steel, tin plated  
**Switch support retainer:** stainless steel  
**Contact / terminals:** copper alloy, with silver or gold plated  
 RoHS compliant

Contact material	Contact rating
<input type="checkbox"/> Silver	5A, 120V AC or 28V DC 2A, 250V AC
<input checked="" type="checkbox"/> Gold	0.4VA, 20V max.
<input checked="" type="checkbox"/> Gold over silver	5A, 120V AC or 28V DC 2A, 250V AC

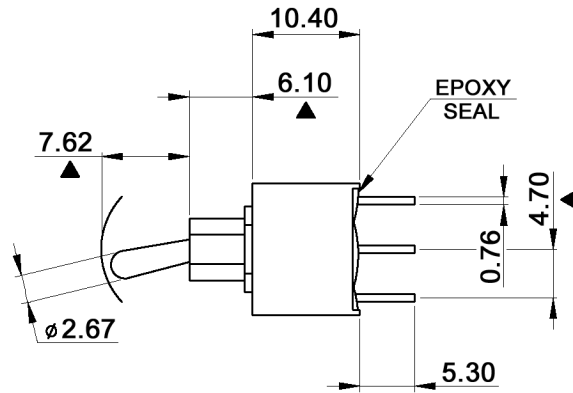
Maßstab		Datum		Name		<h1>MZMEx - Serie</h1> <p>low cost sealed toggle switches</p>
Oberfläche						
<b>knitter-switch</b>				<b>30 07 90</b>		Blatt
						2/8
Zust	Änderung	Datum	Name			

Switching function	1 / 3 Poles	2 Poles
off - on	A	
on - (mom)	B	
off - mom	C	
on - on	D	N
on off on	E	P
mom - on	F	R
mom off mom	G	S
mom off on	H	T
on on on	EA	PA
mom on mom		SA
mom on on		TA

Maßstab				Datum	Name	<h1>MZMEx - Serie</h1> <p>low cost sealed toggle switches</p>
Oberfläche						
				<b>knitter-switch</b>		<h2>30 07 90</h2>
Zust	Änderung	Datum	Name			3/8

# MZME

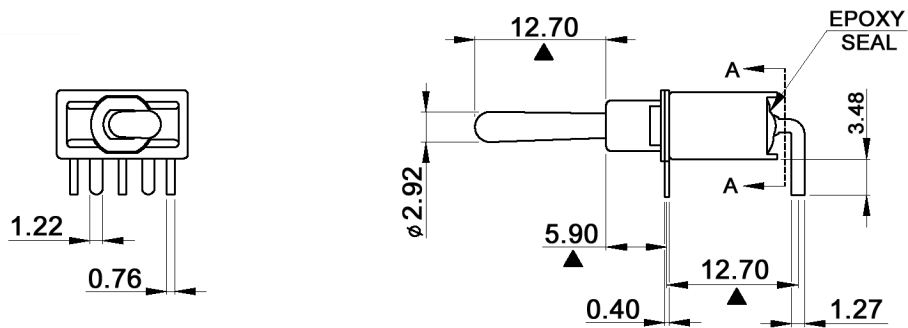
## Actuator standard



### MZME 1 D-PC

## MZME T1

### Long actuator

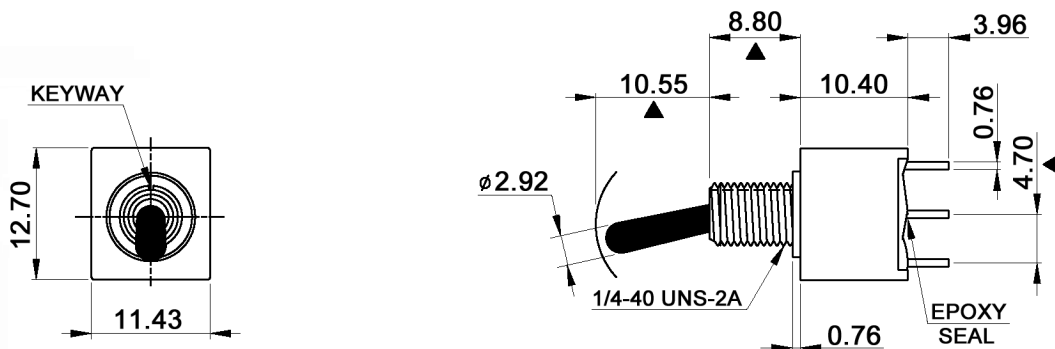


### MZME 1 EG-RA T1

Maßstab		Datum	Name	<h1>MZMEx - Serie</h1> <p>low cost sealed toggle switches</p>
Oberfläche				
			<b>knitter-switch</b>	30 07 90
Zust	Änderung	Datum	Name	Blatt 4/8

# MZME T1 ESD

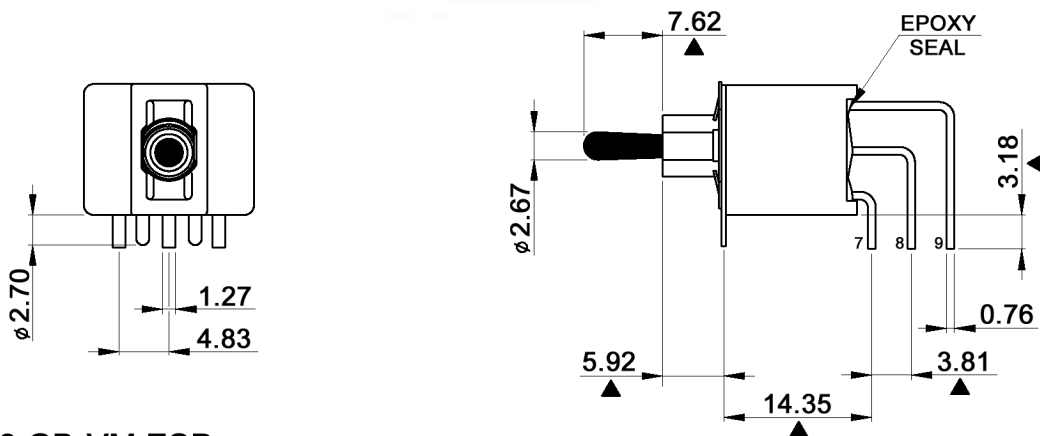
## ESD proof long actuator



### MZME 2P T1 ESD

# MZME ESD

## ESD proof actuator

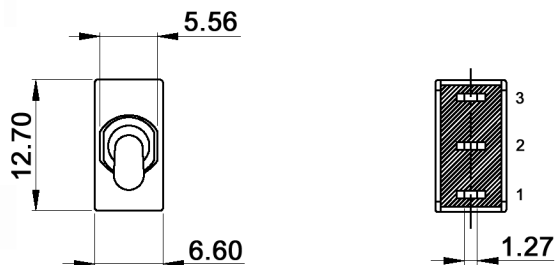


### MZME 3 GB-VM ESD

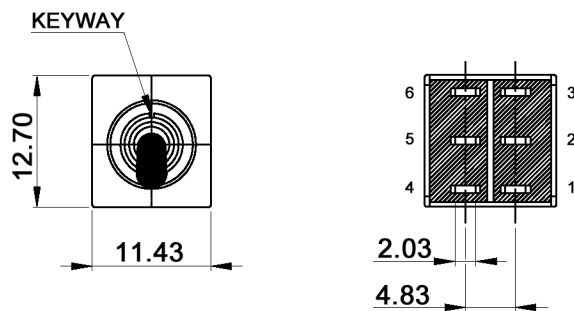
Maßstab		Datum	Name	<h1>MZMEx - Serie</h1> <p>low cost sealed toggle switches</p>
Oberfläche				
			<b>knitter-switch</b>	<h1>30 07 90</h1>
Zust	Änderung	Datum	Name	Blatt 5/8

# Poles

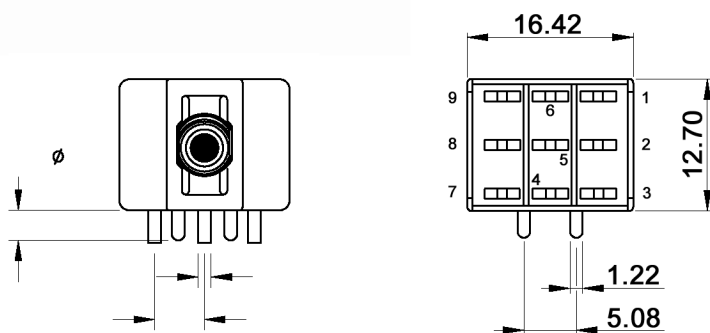
## Single Pole



## Double Pole



## 3 - Pole



Maßstab		Datum		Name	
Oberfläche					
Zust	Änderung	Datum	Name	<b>knitter-switch</b>	

**MZMEx - Serie**  
low cost sealed toggle switches

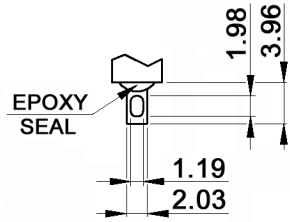
**30 07 90**

Blatt

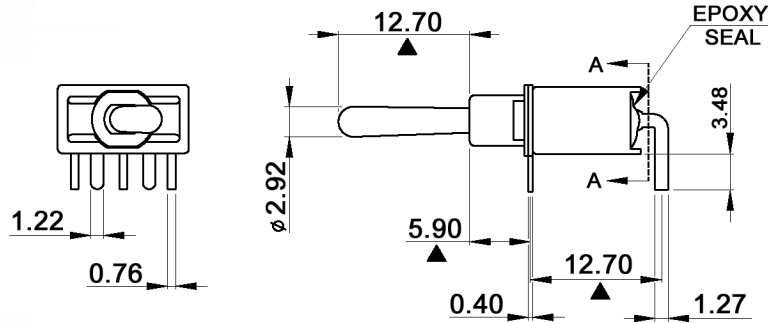
6/8

# Terminals

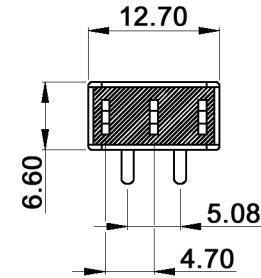
Solder lugs



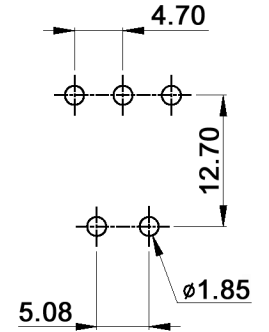
Right angle



SECTION A-A



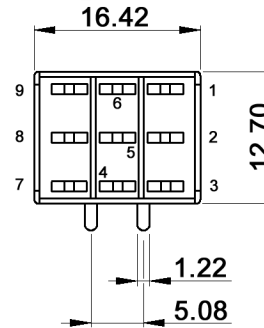
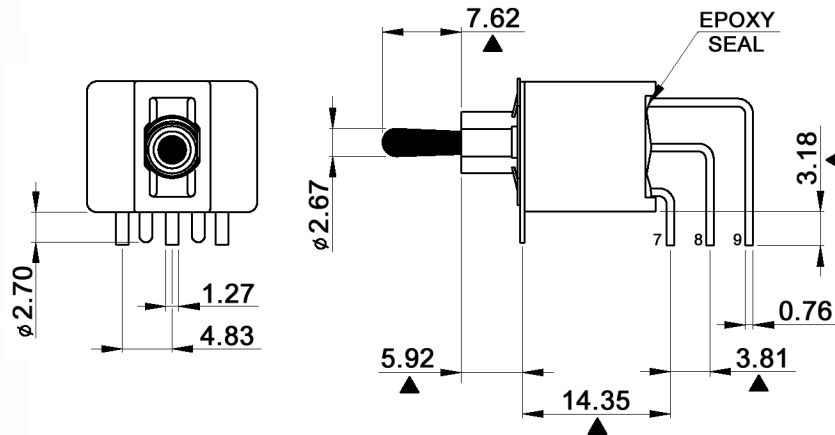
P.C. MOUNTING



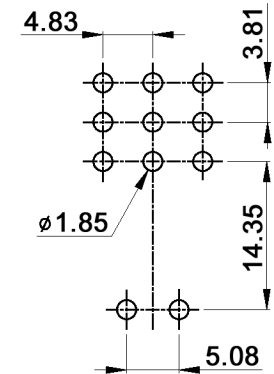
PC terminals



Vertical mount



P.C. MOUNTING



Maßstab		Datum		Name	
Oberfläche					
Zust	Änderung	Datum	Name		

**MZMEx - Serie**  
low cost sealed toggle switches

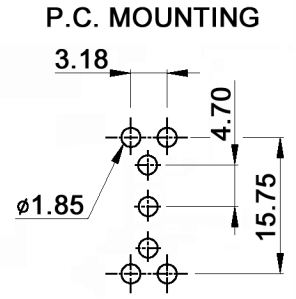
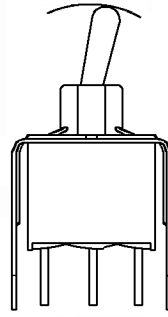
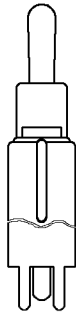
**30 07 90**

Blatt

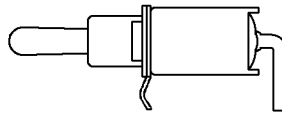
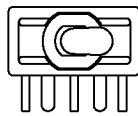
7/8

**knitter-switch**

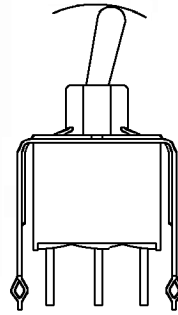
**Bracket**



**RA Snap in**



**Snap in**



Maßstab				Datum	Name
Oberfläche					
Zust	Änderung	Datum	Name		

**MZMEx - Serie**  
low cost sealed toggle switches

**30 07 90**

Blatt  
8/8

**knitter-switch**