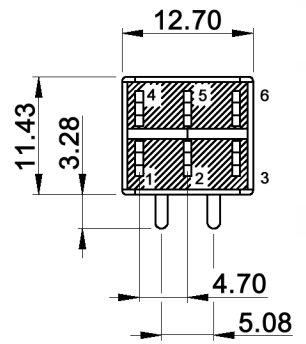


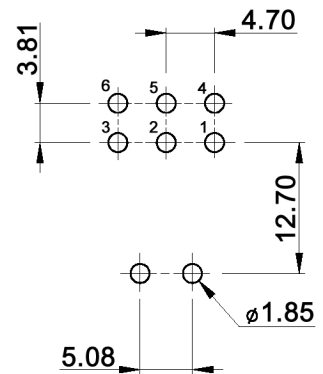
SECTION A-A



SWITCH FUNCTION

Model No.	POS. 1	POS. 2
MZME 2	ON	ON
Term. Conn.	2-3, 5-6	2-1, 5-4

P.C. MOUNTING



Specifications:

- Contact rating: 0.4VA max.; 20V max. (AC or DC)
- Contact resistance: 10mOhm max. at 2-4V DC
- Insulation resistance: 1 000MOhm min.
- Dielectric strength: 1 000V RMS
- Operating temperature: -30°C to +85°C
- Mechanical life: 30 000 make-and-break cycles
- Material: Case / bushing: glass filled nylon 6/6, flame retardant, heat stabilized (UL94V-0)  
 Actuator: brass, chrome plated  
 Switch support: brass, tin plated  
 Switch support retainer: stainless steel  
 Contact / terminal: copper alloy, gold plated



Tolerances: 0.00: ±0.25mm 0.0: ±0.40mm	Date	Name
	04/09	dr

# MZME 2 NB-RA

**knitter-switch**

**30 17 66**

Page

1/1

Modifications	Date	Name
---------------	------	------