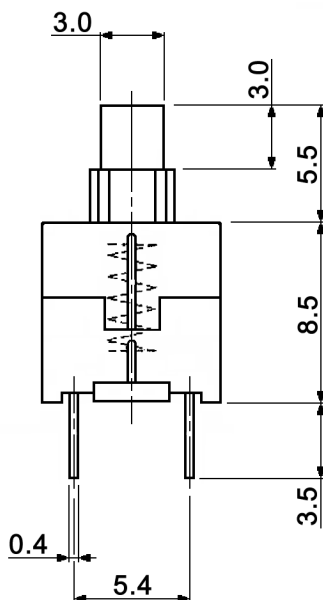
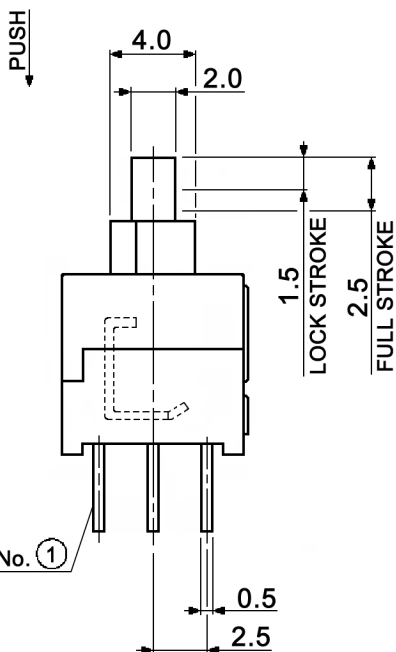
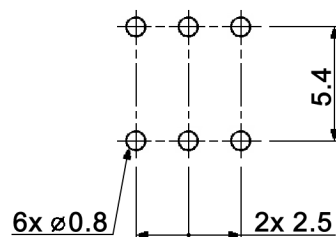
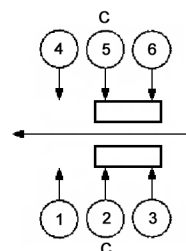


HOLE LAYOUT TOP VIEW ± 0.05



Terminal No. ①

CIRCUIT DIAGRAM C: COMMON PIN



Specifications:

- Contact rating: 0.1A, 30V DC
- Contact resistance: 30mOhm max.
- Insulation resistance: 100MOhm min. at 500V DC for 1 minute
- Dielectric strength: 500V AC (50/60Hz, 2mA) for 1 minute
- Operating temperature: -10°C to +60°C
- Mechanical life: 10 000 cycles
- Operating force: 220 +/-80gf
- Soldering conditions: auto-soldering: 260 +/-5°C, 5 +/-1sec.
- Switching function: DPDT, latching
- Material: Spring: SWC, temper
Case: PA, black
Cover: POM, grey
Fixed contact / terminal: brass strip, silver plated
Spring wire: stainless steel, washing
Actuator: POM, natural
Movable contact: phosphor bronze, silver plated



Tolerances: up to 10: ±0.2mm above 10-50: ±0.3mm	Date	Name
	09/09	dr

MPSA 22E06L-O

Modifications	Date	Name	knitter-switch	30 19 19	Page
					1/1