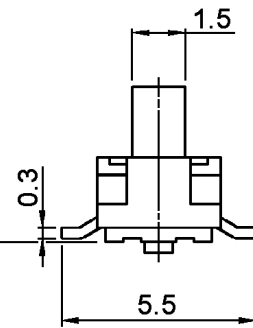
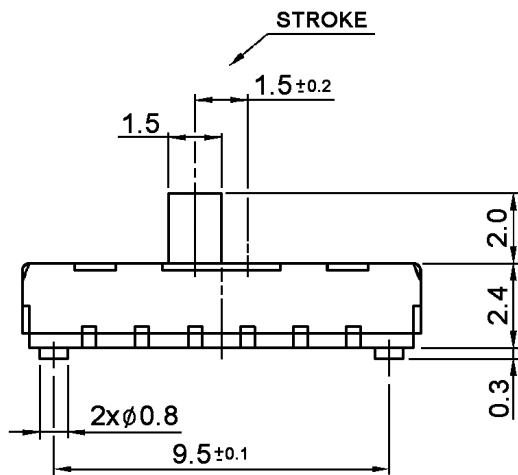
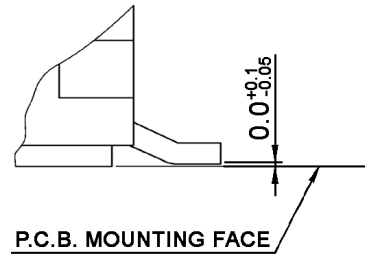
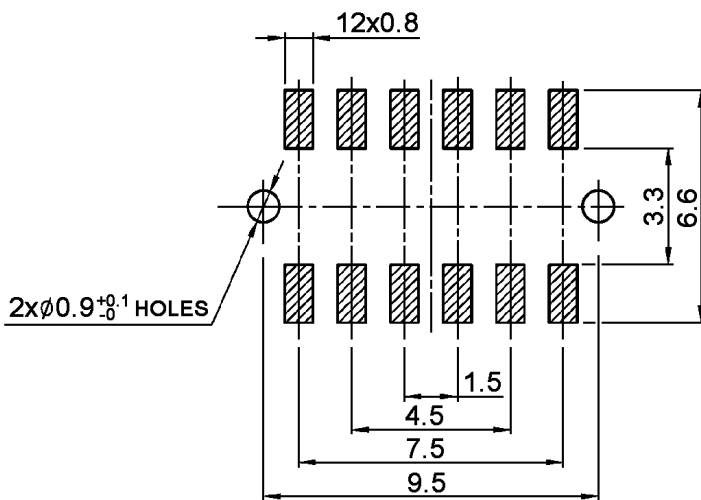


TERMINAL DETAIL

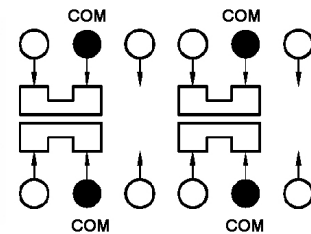


P.C.B. MOUNTING FACE

P.C.B. LAYOUT
(TOLERANCES UNLESS OTHERWISE SPECIFIED ±0.1)



SCHEMATIC



Tolerances: ≤ 10mm: ±0.3mm ≥ 10mm: ±0.3mm	Date	Name
	07/07	dr
Material	06/10	dr
Modifications	Date	Name

MMS 428 T

knitter-switch

30 11 82

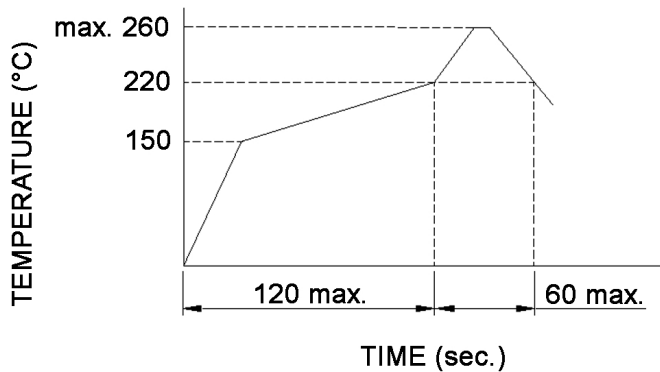
Page

1/3

Specifications:

Contact rating:	0.1A, 12V DC
Contact resistance:	60mOhm max.
Insulation resistance:	100MOhm min. at 500V DC for 1 minute +/-5sec.
Dielectric strength:	500V AC (50/60Hz, 2mA) for 1 minute
Operating temperature:	-40°C to +85°C
Storage temperature:	-40°C to +85°C
Mechanical life:	10 000 cycles
Operating force:	150gf max.
Stroke:	1.5 +/-0.2mm
Timing:	non-shorting
Material:	Spring plate: copper alloy, silver plated Terminal: copper alloy, silver plated Frame: liquid crystal polymer, black Slider: polyamide resin, black Cover: stainless steel plate

Soldering conditions:



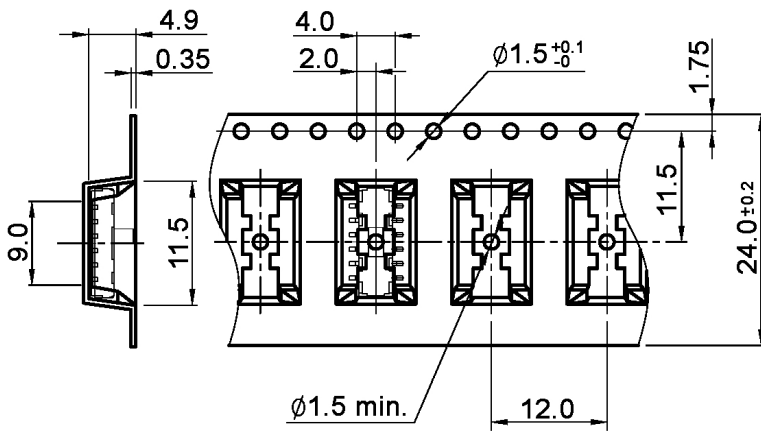
Manual soldering: 350°C +/-3°C; 3sec.



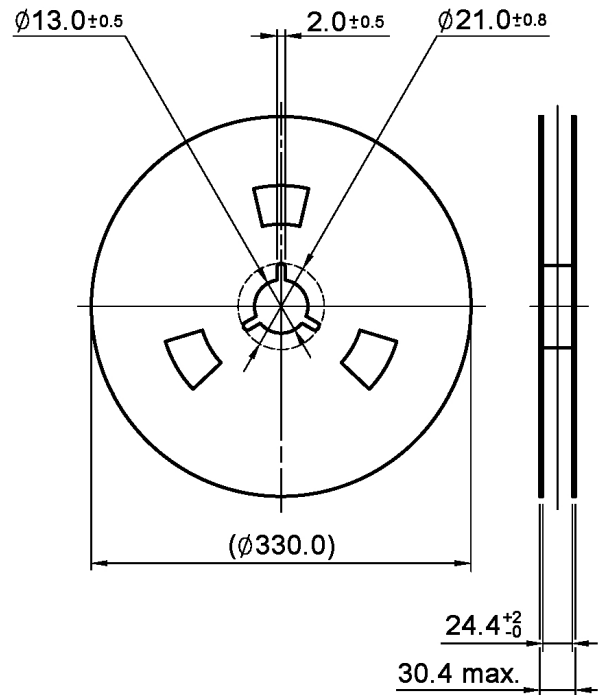
Tolerances: ≤ 10mm: ±0.3mm		Date	Name	<h1>MMS 428 T</h1>
≥ 10mm:		07/07	dr	
			knitter-switch	<h2>30 11 82</h2>
Modifications	Date	Name		Page 2/3

Packaging:

CARRIER TAPE



REEL



COVER TAPE



Packaging unit: 1100 pcs / reel



Tolerances: $\leq 10\text{mm}$: $\geq 10\text{mm}$: $\pm 0.3\text{mm}$	Date	Name
	07/07	dr

MMS 428 T

knitter-switch

30 11 82

Page

3/3

Modifications Date Name