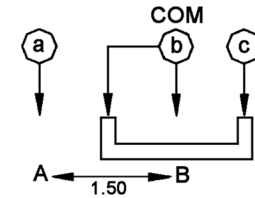
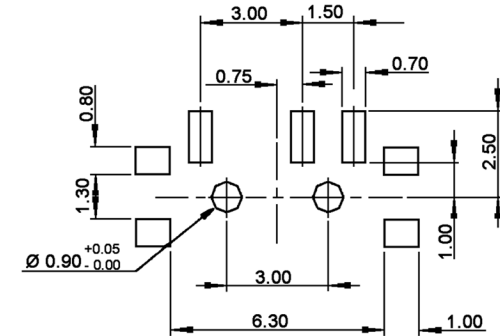


CIRCUIT DIAGRAM



P.C.B. LAYOUT



Specification:

Contact rating: 50mA, 12V DC non switching

0,3A, 4V DC switching

Contact resistance: 100mOhm max

Insulation resistance: 100MOhm min

Dielectric strength: 500V AC for the duration of 1 minute

Operating temperature: -20°C to +70°C

Electrical life: min. 10 000 cycles

Operating force: 150gf ±100gf

Maßstab	Datum		Name
Oberfläche	Bearb.	04/03	us
	Geor.		
	Norm		
dimension pin	09/05	dr	
Zust.	Änderung	Datum	Name

MMS 3 T

knitter-switch

30 04 47

Blatt
1/1
Bl.