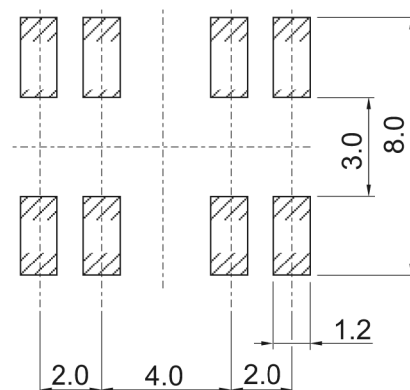


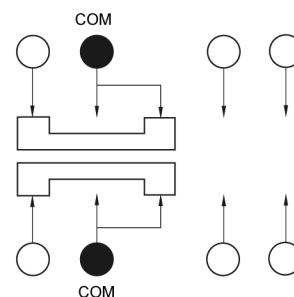
P.C. LAYOUT



**Specifications:**

- Contact rating: 0.3A, 6V DC
- Contact resistance: 70mOhm max.
- Insulation resistance: 100MOhm min. at 500V DC for 1 minute
- Dielectric strength: 500V AC (50/60Hz, 2mA) for 1 minute
- Operating temperature: -10°C to +60°C
- Mechanical life: 5 000 cycles
- Operating force: a-b c-b: 200 +/-100gf  
b-a b-c: 300 +/-150gf
- Solderign conditions: 260 +/-5°C, 5 +/-1.0sec.
- Contacts: gold plated
- Terminals: brass, gold plated
- Coplanarity deviation: +/-0.05mm max.

**SCHEMATIC**



Tolerances: ±0.2mm	Date	Name
	08/08	dr
Modifications	Date	Name

**MMS 238 BT**

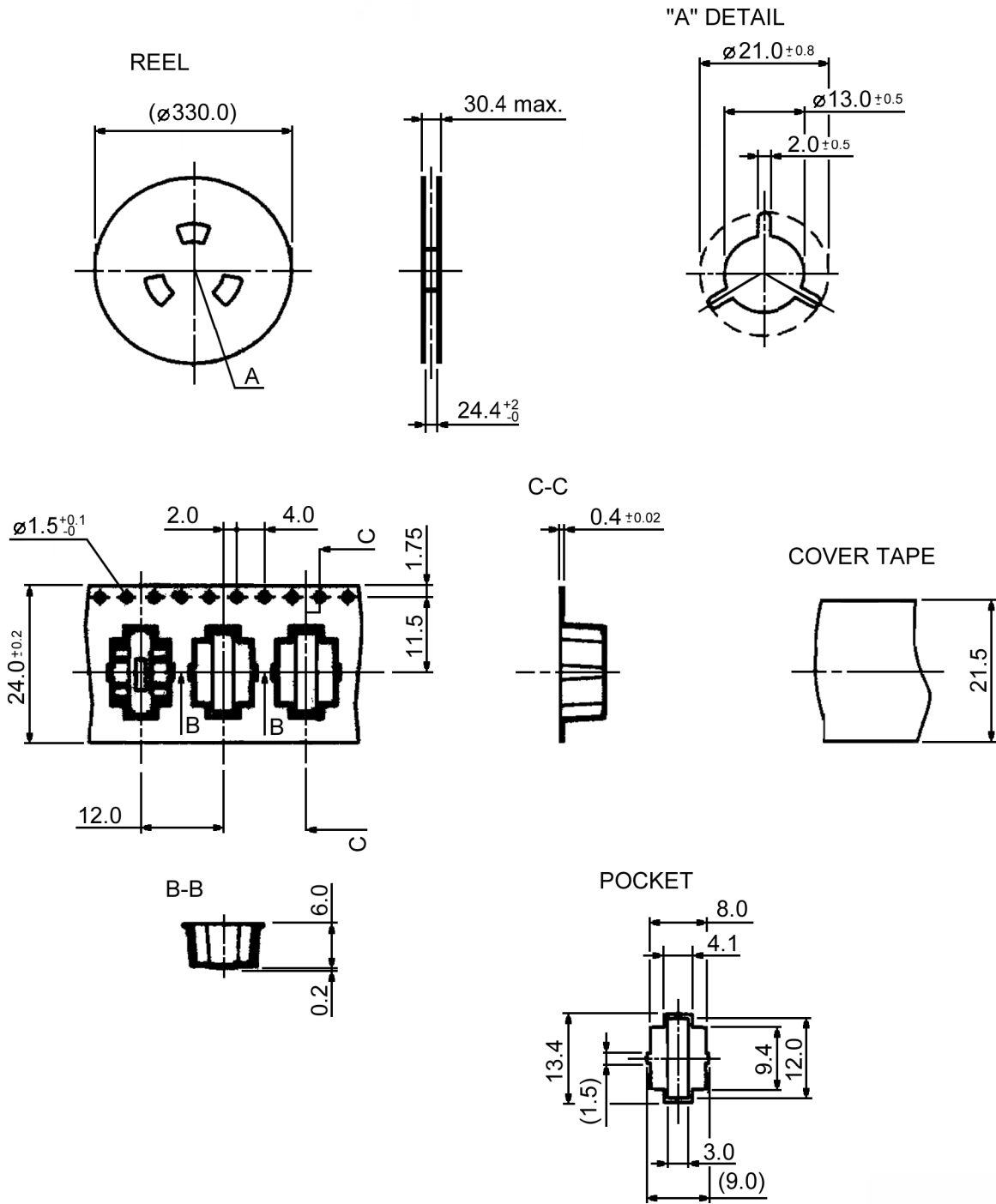
**30 02 47**

Page  
1/3

**knitter-switch**



Packaging:



Packaging: 900 pcs. / reel



Tolerances:			Date	Name	<b>MMS 238 BT</b>
			08/08	dr	
			<b>knitter-switch</b>		<b>30 02 47</b>
Modifications			Date	Name	Page 3/3