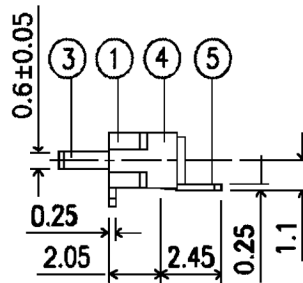
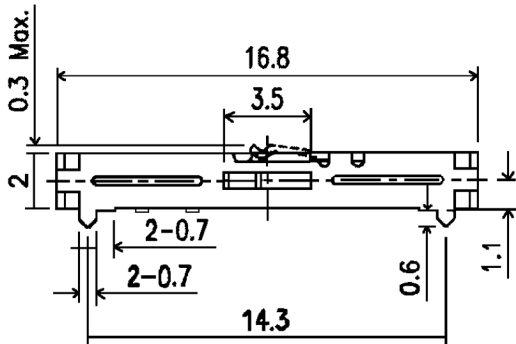
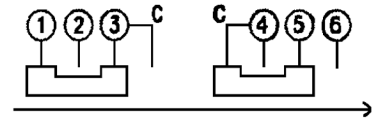
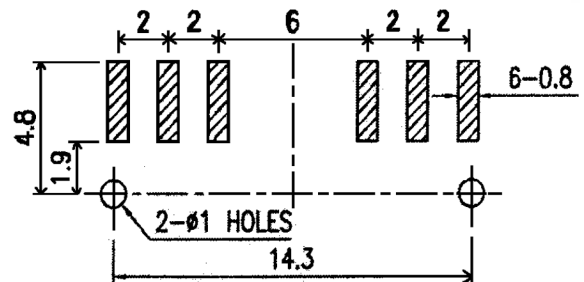


CIRCUIT DIAGRAM



P.C. MOUNTING



Specifications:

Contact rating:	6V DC; 0,5A
Contact resistance:	70mOhm max.
Insulation resistance:	100MOhm min. at 100V DC
Dielectric strength:	100V AC, 50Hz for the duration of 1 minute
Operating temperature:	-40°C to +85°C
Electrical life:	5 000 cycles
Operating force:	130gf +/- 80gf
Terminals:	PBS, silver plated
Soldering conditions:	75s > 225°C; max. 250°C
Materials:	Case: LCP Contact: BeCu, silver plated Slider: LCP Cover: SUS



Tolerances: up to 10: ±0.2mm above 10-50: ±0.3mm	Date	Name
	07/03	us

**MMS 224 T**

Operating temperature	06/09	dr	<b>knitter-switch</b>
Material	05/04	us	
Modifications	Date	Name	

**30 03 82**

Page

1/1