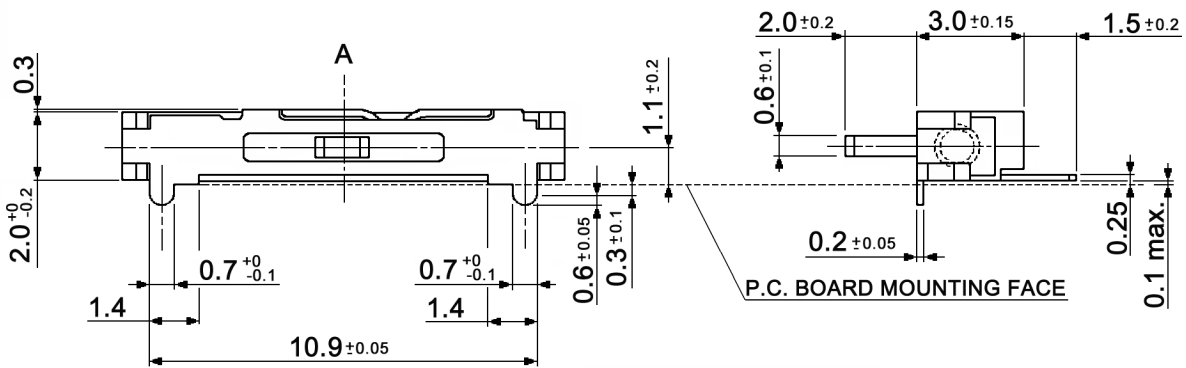
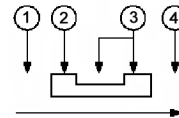


CIRCUIT DIAGRAM



Specifications:

- Contact rating: 200mA, 12V DC
- Contact resistance: 70mOhm max.
- Insulation resistance: 100MOhm max. at 500V DC for 1 minute +/-5sec.
- Dielectric strength: 500V AC (50/60Hz, 2mA) for 1 minute
- Operating temperature: -40°C to +85°C
- Storage temperature: -40°C to +85°C
- Mechanical life: 10 000 cycles
- Operating force: b-c: 2.25 +/-1N
c-b: 1.75 +/-1N
b-a: 2.0 +0.1/-1N

Material:

- Terminal: brass, 1µ silver plated
- Case: PA9T, black
- Contact plate: C5210, 0.5µ silver plated
- Spring: SUS, temper
- Cover: SUS, natural
- Stem: PA46, black



Tolerances: up to 10: ±0.2mm above 10-50: ±0.3mm	Date	Name
	12/07	dr
Modifications	Date	Name

MMS 134

30 13 03

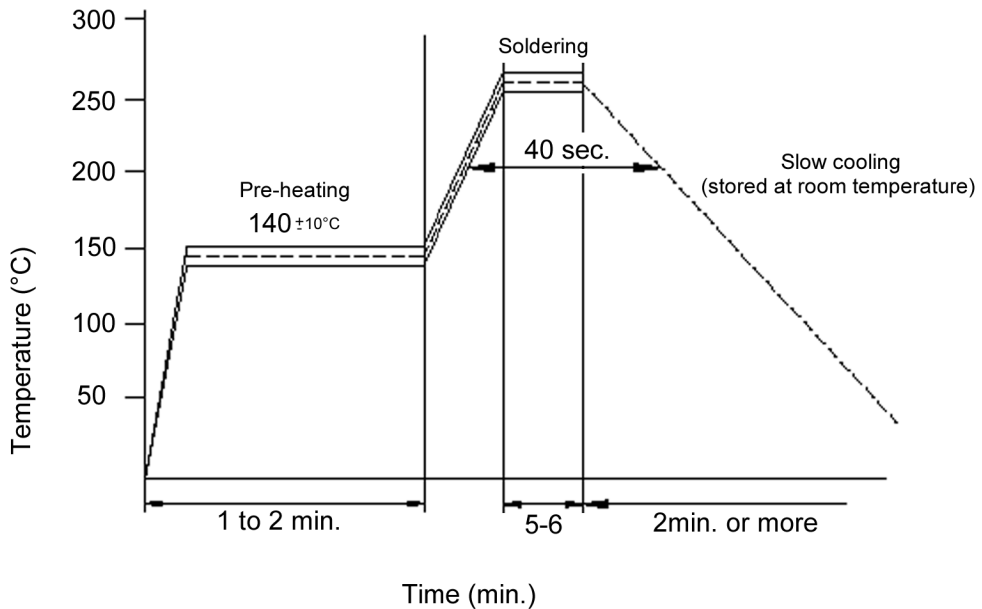
Page

1/3

knitter-switch

Soldering profile:

Temperature profile of reflow soldering



Solder temperature: 220 +/-5°C, 40sec.

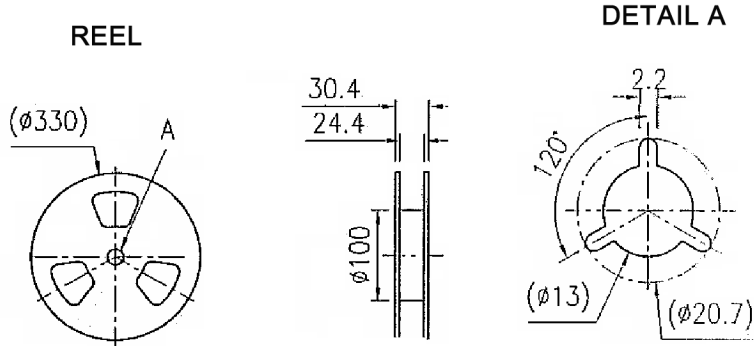
Peak: 260 +/-3°C, 5-6sec.

At electrode temperature of the specimen (solder temperature).

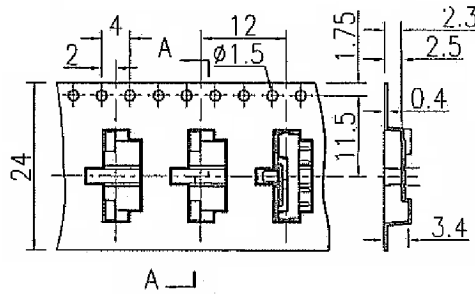


Tolerances: up to 10: ±0.2mm above 10-50: ±0.3mm			Date	Name	<h1>MMS 134</h1>
			12/07	dr	
			knitter-switch		<h2>30 13 03</h2>
Modifications			Date	Name	Page 2/3

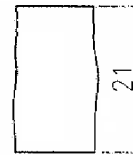
Packaging:



CARRIER TAPE



COVER TAPE



Packaging unit: 1500 pcs./reel



Tolerances: up to 10: ±0.2mm above 10-50: ±0.3mm			Date	Name	<h1>MMS 134</h1>
			12/07	dr	
			knitter-switch		<h1>30 13 03</h1>
Modifications			Date	Name	Page 3/3