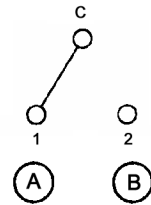
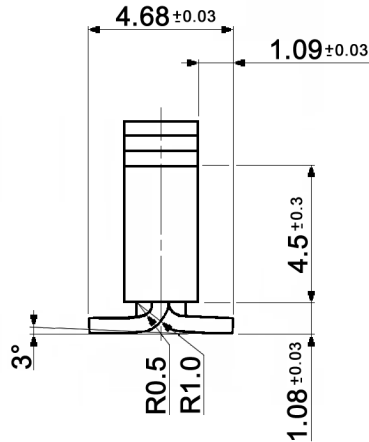
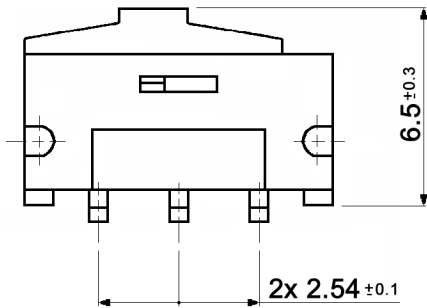


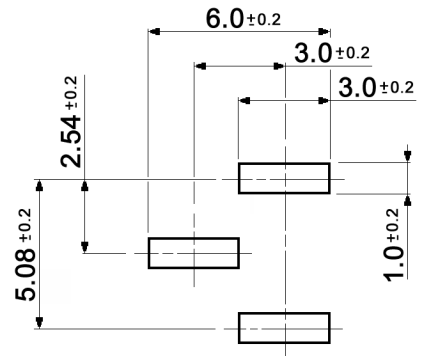
CIRCUIT DIAGRAM



(A) actuator position (B)



P.C.B. LAYOUT



Specifications:

- Contact rating: 0.2A, 24V; 0.5A, 12V
min.: 1mA, 10mV
- Contact resistance: 50mOhm max. (initial)
200mOhm max. (after life test)
- Insulation resistance: 10 000MOhm min. under 500V DC
- Dielectric strength: 500V DC (2mA) for 1 minute
- Operating temperature: -40°C to +85°C
- Mechanical life: 10 000 cycles
- Capacitance: 1.5pF max.
- Soldering conditions: 260°C, 5sec.
- Material:

Case: PA6T glass reinforced nylon, UL94V-0, black
 Slider: PA46 glass reinforced nylon, UL94V-0, ivory
 Terminals: brass, 3µ" gold plated over 40µ" nickel
 Fixed contact: brass, 3µ" gold plated over 40µ" nickel
 Movable contact: phosphor bronze, 5µ" gold plated over 40µ" nickel



Tolerances: 0-1: ±0.1mm 1-4: ±0.3mm	Date	Name
	05/09	dr
Revised	05/09	dr
Modifications	Date	Name

MMS 1030 D

knitter-switch

30 04 12

Page

1/1