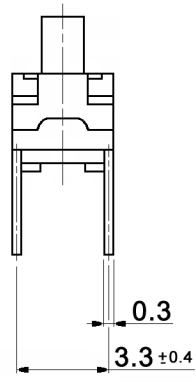
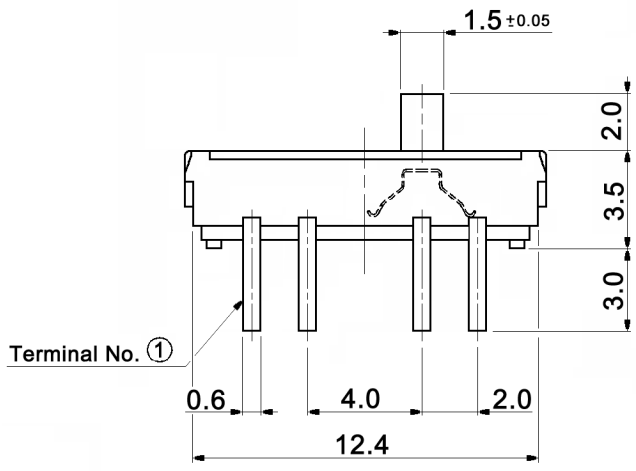
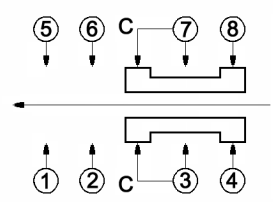
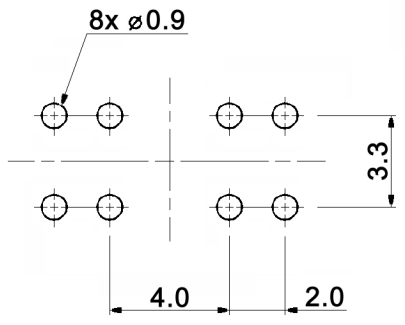


CIRCUIT DIAGRAM
C: COMMON PIN



HOLE LAYOUT
TOP VIEW $\varnothing 0.05$



Specifications:

- Contact rating: 0.3A, 6V DC
- Contact resistance: 70mOhm max.
- Insulation resistance: 100MOhm min. at 500V DC for 1 minute
- Dielectric strength: 500V AC (50/60Hz, 2mA) for 1 minute
- Operating temperature: -10°C to +60°C
- Mechanical life: 5 000 cycles
- Operating force: a-b c-b: 200 +/-100gf
b-a b-c: 300 +/-150gf
- Soldering conditions: 260 +/-5°C, 5 +/-1sec.
- Timing: non-shorting
- Material: Terminal: brass strip, silver plated
Cover: stainless steel, washing
Slider: nylon, blue
Contact plate: C7035, silver plated
Case: nylon, black



Tolerances: up to 10: ±0.2mm above 10-50: ±0.3mm	Date	Name
	12/09	dr

MMP 238

Modifications	Date	Name	knitter-switch	30 19 82	Page
					1/1