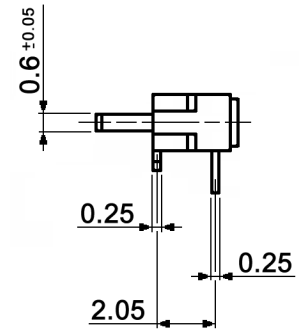
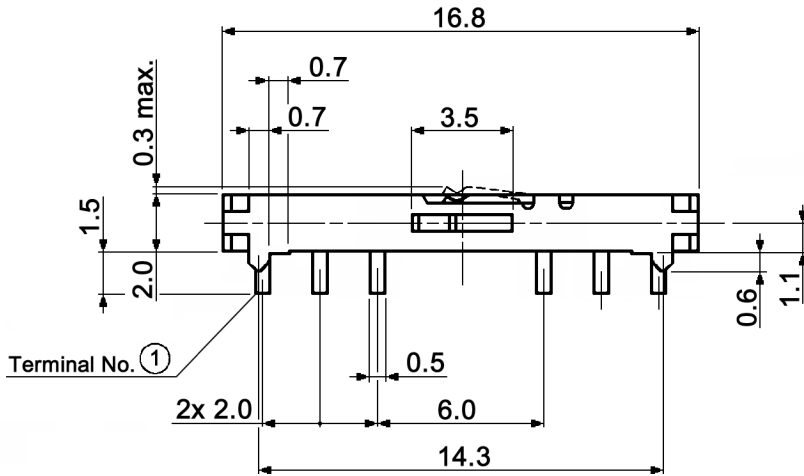
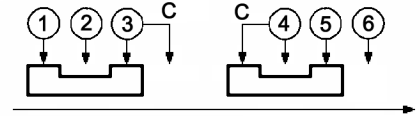


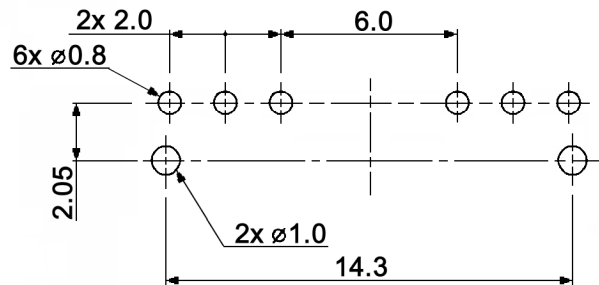
**CIRCUIT DIAGRAM**

C: COMMON PIN  
BOTTOM VIEW



**HOLE LAYOUT TOP VIEW**

⌀ 0.05



**Specifications:**

- Contact rating: 0.5A, 4V DC
- Contact resistance: 70mOhm max.
- Insulation resistance: 100MOhm min.
- Dielectric strength: 100V AC (50/60Hz, 2mA) for 1 minute
- Operating temperature: -10°C to +60°C
- Mechanical life: 5 000 cycles
- Operating force: 200 +/-100gf
- Soldering conditions: max.: 260°C, 10sec.
- Material: Terminal: brass, silver plated  
Cover: SUS, washing  
Slider / case: LCP, dark grey  
Contact: BeCu, silver plated



Tolerances: up to 10: ±0.2mm above 10-50: ±0.3mm	Date	Name
	07/08	dr
Modifications	Date	Name

**MMP 224 R1**

**knitter-switch**

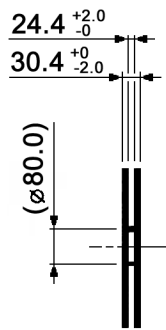
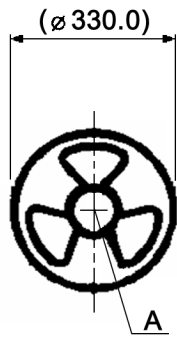
**30 15 20**

Page

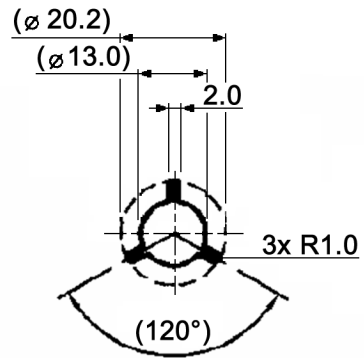
1/2

**Packaging:**

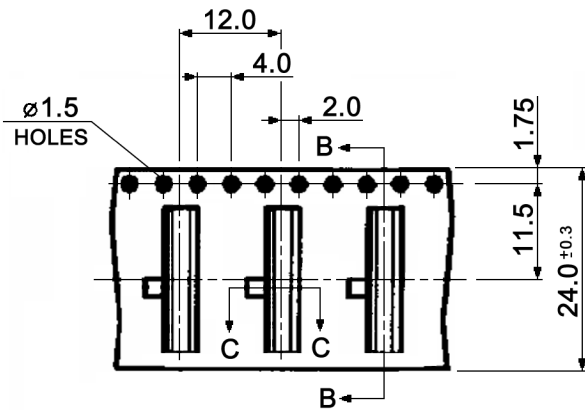
REEL:



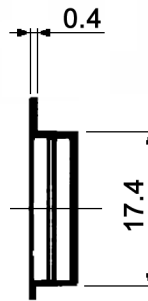
"A" DETAIL



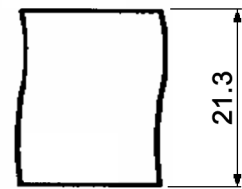
CARRIER TAPE



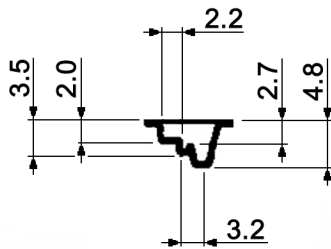
SECTION B-B



COVER TAPE



SECTION C-C



Packaging unit: 1 000 pcs / reel



Tolerances: up to 10: $\pm$ 0.2mm above 10-50: $\pm$ 0.3mm	Date	Name
	07/08	dr
Modifications	Date	Name

**MMP 224 R1**

**knitter-switch**

**30 15 20**

Page

2/2