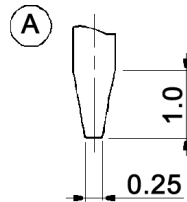
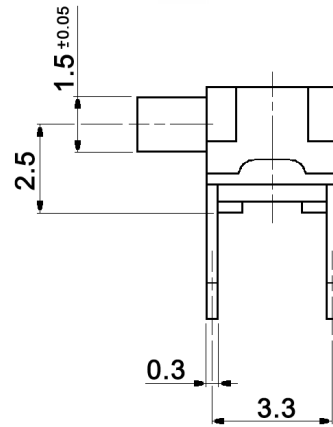
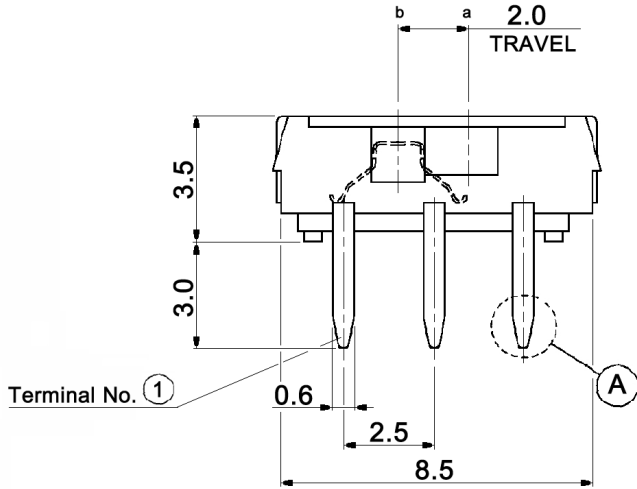
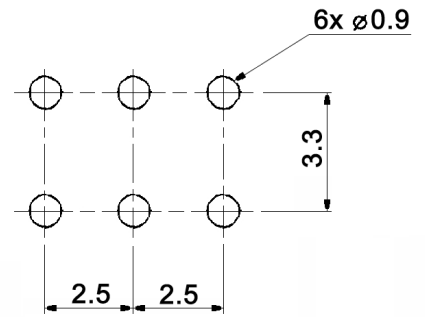
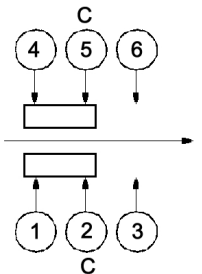


HOLE LAYOUT
TOP VIEW $\oplus 0.05$



CIRCUIT DIAGRAM
C: COMMON PIN



Specifications:

- Contact rating: 0.3A, 6V DC
- Contact resistance: 70mOhm max.
- Insulation resistance: 100MOhm min. at 500V DC for 1 minute
- Dielectric strength: 500V AC (50/60Hz, 2mA) for 1 minute
- Operating temperature: -10°C to +60°C
- Mechanical life: 5 000 cycles
- Operating force: 200 +/-100gf
- Soldering conditions: wave soldering: 260 +/-5°C, 10 +/-1sec.
- Material: Terminal: brass strip, 0.25µm gold plated
Cover: stainless steel, washing
Case: PA46, black
Contact plate: C7025, 0.25µm gold plated
Slider: PA66, natural



Tolerances: up to 10: ±0.2mm above 10-50: ±0.3mm	Date	Name
	07/09	dr

MMP 221 RBS

knitter-switch

30 18 92

Page

1/1

Modifications	Date	Name