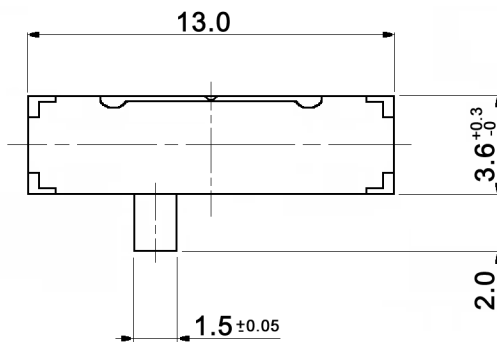
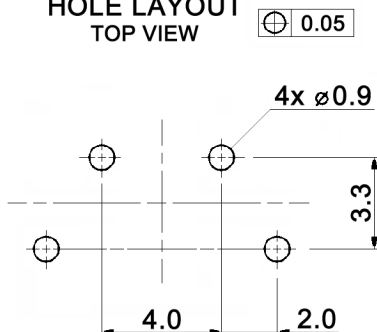
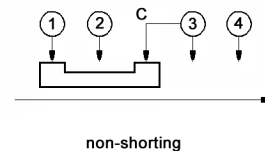


HOLE LAYOUT
TOP VIEW



CIRCUIT DIAGRAM
C: COMMON PIN
BOTTOM VIEW



Specifications:

Contact rating: 0.3A, 6V DC
 Contact resistance: 70mOhm max.
 Insulation resistance: 100MOhm min. at 500V DC for 1 minute
 Dielectric strength: 500V AC (50/60Hz, 2mA) for 1 minute
 Operating temperature: -10°C to +60°C
 Mechanical life: 5 000 cycles
 Operating force: a-b c-b: 200 +/-100gf
 b-a b-c: 300 +/-150gf

Soldering conditions: 260 +/-5°C, 10 +/-1sec.

Material: Cover: stainless steel, washing
 Terminal: brass strip, silver plated
 Case: PA9T, black
 Contact: BeCu, silver plated
 Slider: PA46, blue



Tolerances: up to 10: ±0.2mm above 10-50: ±0.3mm	Date	Name
	02/08	dr

MMP 131 R

Revised	04/10	dr	knitter-switch
Modifications	Date	Name	

30 14 07