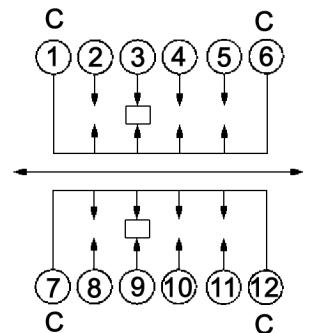


Specifications:

Contact rating: 30V DC; 0.1A
 Contact resistance: 20mOhm max.
 Insulation resistance: 100MOhm min. at 500V DC for 1 minute
 Dielectric strength: 500V AC for 1 minute (50 / 60Hz, 2mA)
 Operating temperature: -10°C to +60°C
 Solder heat resistance: 260°C +/-5°C, 5 +/-1sec.
 Mechanical life: 10 000 cycles
 Material: Terminal: brass strip, Ag
 Base: phenolic resin, natural
 Spring plate: SUS 301, finish
 Contact clip: C5210R-EH, Ag
 Frame: SPCC, Ni
 Slider: POM, black

CIRCUIT DIAGRAM



C: COMMON PIN
BOTTOM VIEW

Maßstab	Datum	Name	
Oberfläche	05/05	dr	
Zust	Änderung	Datum	Name

MFP 2424-R

30 06 25

Blatt

1/1

knitter-switch