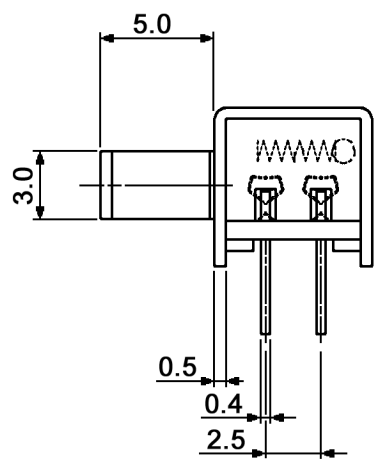
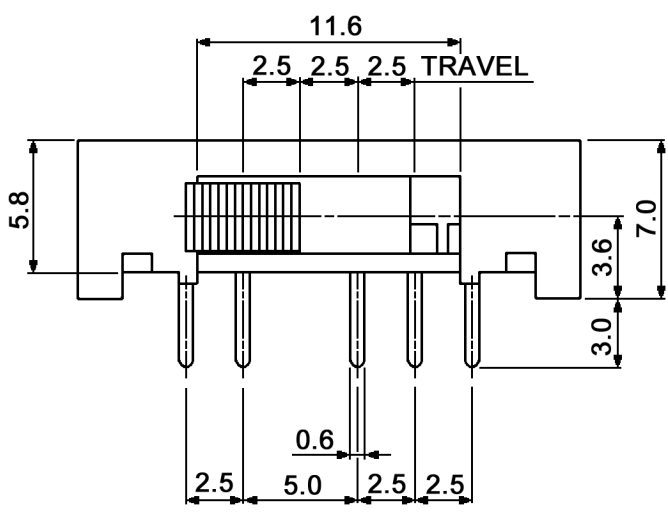
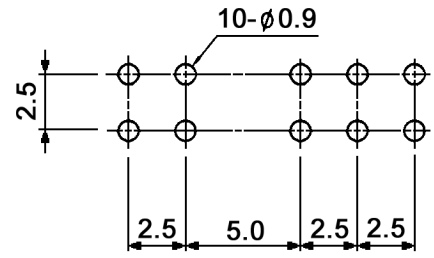


HOLE LAYOUT $\varnothing 0.05$

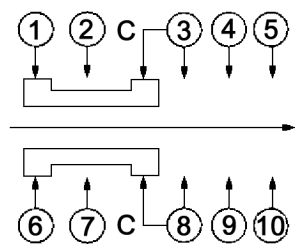


Specifications:

- Contact rating: 30V DC; 0.1A
- Contact resistance: 20mOhm max.
- Insulation resistance: 100MOhm min. at 500V DC for 1 minute
- Dielectric strength: 500V AC for 1 minute (50 / 60Hz, 2mA)
- Operating temperature: -10°C to +60°C
- Solder heat resistance: 260°C +/-5°C, 5 +/-1sec.
- Mechanical life: 10 000 cycles
- RoHS compliant
- Material:

- Terminal: brass strip, Ag
- Base: phenolic resin, natural
- Spring plate: SUS 301, finish
- Contact clip: C5210R-EH, Ag
- Frame: SPCC, Ni
- Slider: POM, black

CIRCUIT DIAGRAM



C: COMMON PIN
BOTTOM VIEW

Maßstab		Datum	Name
Oberfläche		03/06	dr
Zust	Änderung	Datum	Name

knitter-switch

MFP 2424-R-1

30 08 05

Blatt
1/1