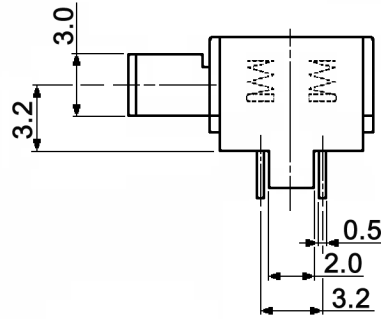
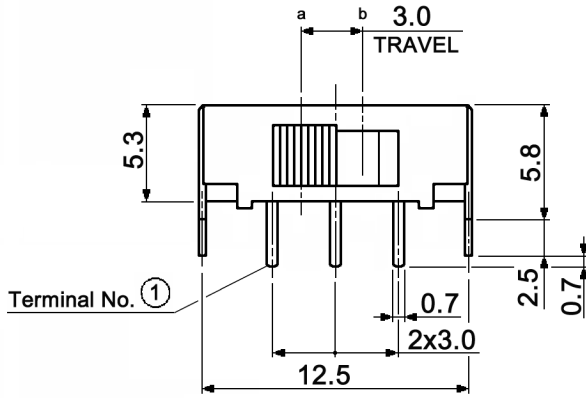
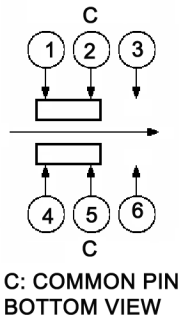


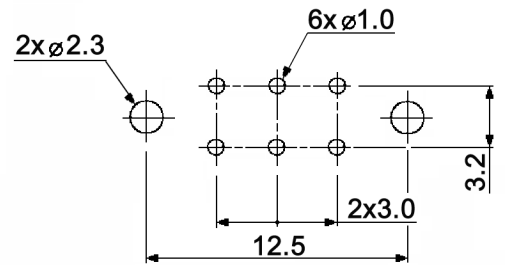
X = to be defined



CIRCUIT DIAGRAM



HOLE LAYOUT ± 0.05



Material:

- Terminal: brass strip, silver plated
- Base: phenolic resin, natural
- Frame: SPCC, nickel plated
- Spring: SWC, temper
- Contact plate: brass strip, silver plated
- Slider: POM, black



Tolerances: up to 10: $\pm 0.2\text{mm}$ above 10-50: $\pm 0.3\text{mm}$		Date	Name
		12/07	dr

MFP 228-R-x

knitter-switch

30 13 07

Page

1/1

Modifications Date Name