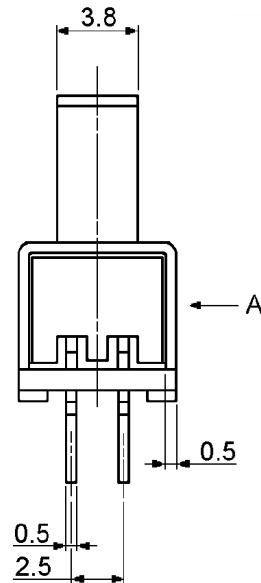
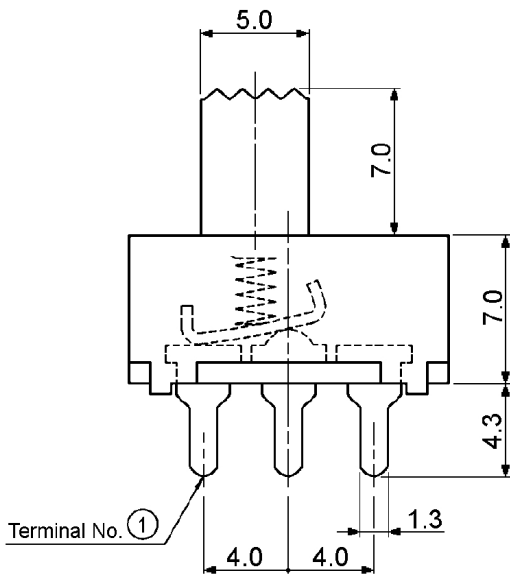
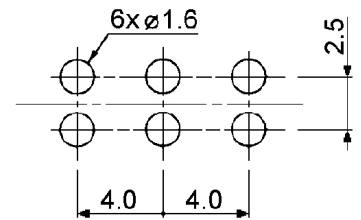
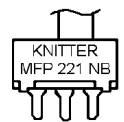


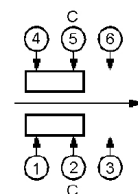
HOLE LAYOUT $\Phi 0.05$
TOP VIEW



A VIEW



CIRCUIT DIAGRAM



C: COMMON PIN

Specifications:

- Contact rating: 0.3A, 30V DC
- Contact resistance: 30mOhm max.
- Insulation resistance: 100MOhm min. at 500V DC for 1 minute
- Dielectric strength: 500V AC (50/60Hz, 2mA) for 1 minute
- Operating temperature: -10°C to +60°C
- Mechanical life: 5 000 cycles min.
- Operating force: 250gf +/-100gf
- Soldering heat resistance: 260 +/-5°C, 5 +/-1sec.
- Material:
 - Base: phenolic resin, natural
 - Frame: SPCC, tin plated
 - Slider: PBT, black
 - Terminal / contact: brass strip, gold plated 5u"
 - Spring: SWC, temper



Tolerances: $\leq 10\text{mm}$: $\pm 0.2\text{mm}$ $\geq 10\text{mm}$: $\pm 0.3\text{mm}$	Date	Name
	08/07	dr

MFP 221 NB

Modifications	Date	Name	knitter-switch	30 12 01	Page
					1/1