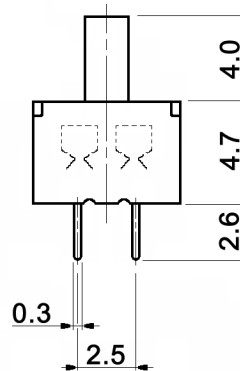
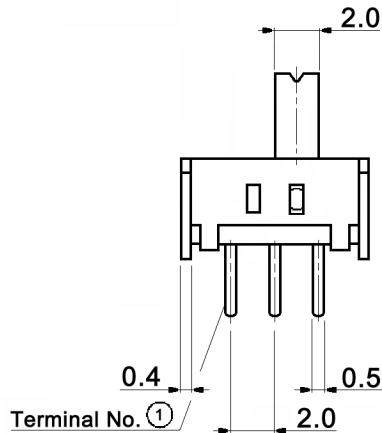
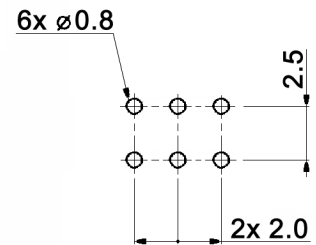
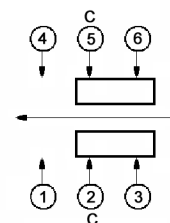


HOLE LAYOUT TOP VIEW ± 0.05



CIRCUIT DIAGRAM
C: COMMON PIN



Specifications:

- Contact rating: 0.1A, 12V DC
- Contact resistance: 20mOhm max.
- Insulation resistance: 100MOhm min. at 500V DC for 1 minute
- Dielectric strength: 500V AC (50/60Hz, 2mA) for 1 minute
- Operating temperature: -10°C to +60°C
- Mechanical life: 10 000 cycles
- Operating force: 250 +/-100gf
- Soldering conditions: auto-soldering: 260 +/-5°C, 5 +/-1sec.
- Material: Contact clip: phosphor bronze, silver plated
Slider: POM, black
Spring plate: phosphor bronze, washing
Terminal: brass strip, silver plated
Base: phenolic resin, natural
Frame: stainless steel, tin plated



Tolerances: up to 10: ± 0.2 mm above 10-50: ± 0.3 mm	Date	Name
	08/09	dr

MFP 213 N-G4

Modifications	Date	Name	knitter-switch	30 19 08	Page
					1/1