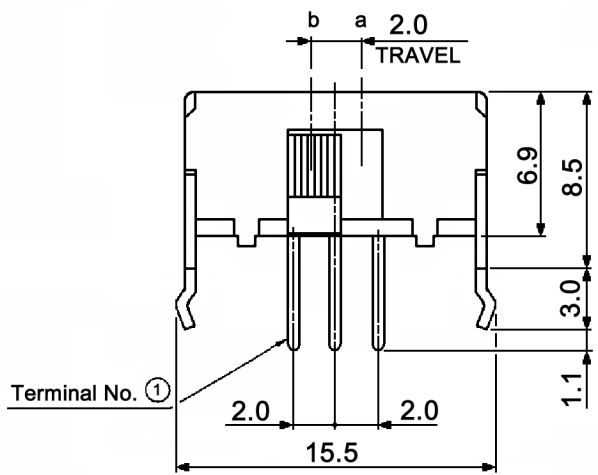
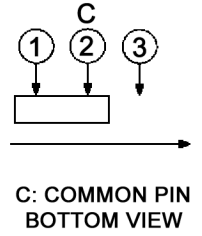
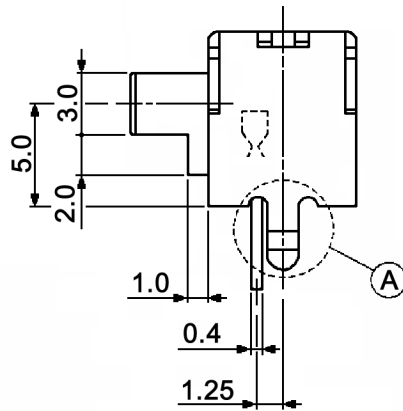
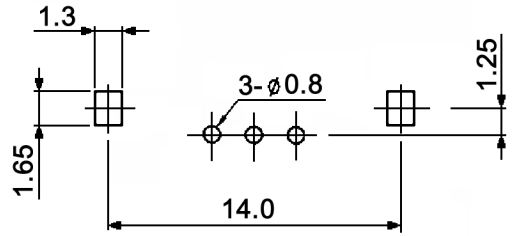


CIRCUIT DIAGRAM



HOLE LAYOUT ± 0.05



Specifications:

- Contact rating: 0.1A, 30V DC
- Contact resistance: 20mOhm max.
- Insulation resistance: 100MOhm min. at 500V DC for 1 minute
- Dielectric strength: 500V AC for 1 minute (50/60Hz, 2mA)
- Operating temperature: -10°C to +60°C
- Operating force: 250gf +/-120gf
- Soldering heat resistance: 260 +/-5°C, 5 +/-1 sec.
- Mechanical life: 10 000 cycles

RoHS compliant
Material:

- Terminal: brass strip, silver plated
- Base: phenolic resin, natural
- Spring clip: SUS 301
- Contact clip: C5210R-EH, silver plated
- Frame: SPCC, nickel
- Slider: POM, black

Maßstab	Datum	Name	
Oberfläche	10/06	dr	
Zust	Änderung	Datum	Name

MFP 171 D-RA

30 09 86

Blatt
1/1

knitter-switch