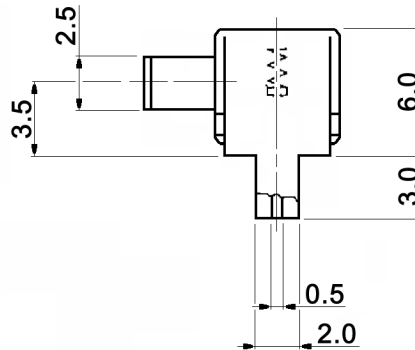
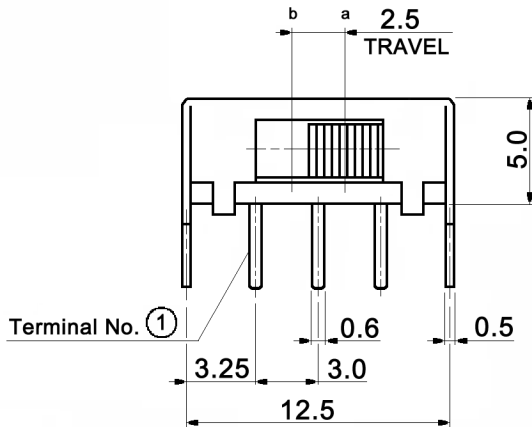
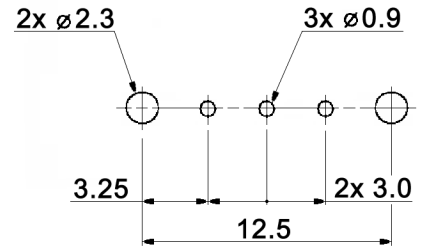
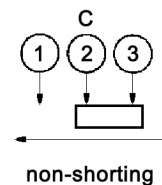


HOLE LAYOUT ± 0.05



CIRCUIT DIAGRAM
C: COMMON PIN
BOTTOM VIEW



Specifications:

- Contact rating: 0.2A, 30V DC
- Contact resistance: 30mOhm max.
- Insulation resistance: 100MOhm min. at 500V DC for 1 minute
- Dielectric strength: 500V AC (50/60Hz, 2mA) for 1 minute
- Operating temperature: -10°C to +60°C
- Mechanical life: 1 000 cycles
- Operating force: 150 +/-70gf
- Soldering conditions: 260 +/-5°C, 5 +/-1sec.
- Material: Terminal: brass strip, silver plated
Contact plate: brass strip, silver plated
Spring: SWC, temper
Base: phenolic resin, natural
Frame: steel, nickel plated
Slider: POM, black



Tolerances:	Date	Name
up to 10: ±0.2mm	11/09	dr
above 10-50: ±0.3mm		
Modifications	Date	Name

MFP 1240 R

knitter-switch

30 19 64

Page

1/1