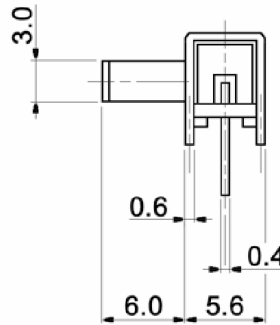
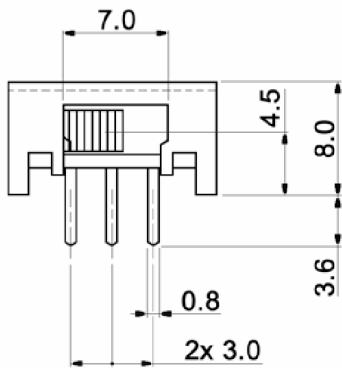
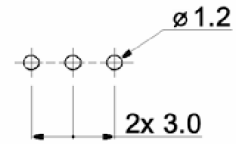
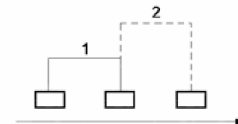


P.C. LAYOUT



SCHEMATIC



Specifications:

- Contact rating: 350mA, 30V DC
- Contact resistance: 20mOhm max.
- Insulation resistance: 100MOhm min. at 500V DC
- Dielectric strength: 500V, 50Hz for the duration of 1 minute
- Operating temperature: -20°C to +85°C
- Mechanical life: min. 10 000 cycles
- Soldering conditions: auto-soldering: max.: 260 +/-5°C, 5sec.
- Switching function: on -on
- Slide color: black
- Material: Contacts: copper alloy, silver plated over nickel barrier



Tolerances: ±0.3mm		Date	Name	<h1>MFP 101 D-RA</h1>
		03/09	dr	
		knitter-switch		30 17 42
Modifications		Date	Name	Page 1/1