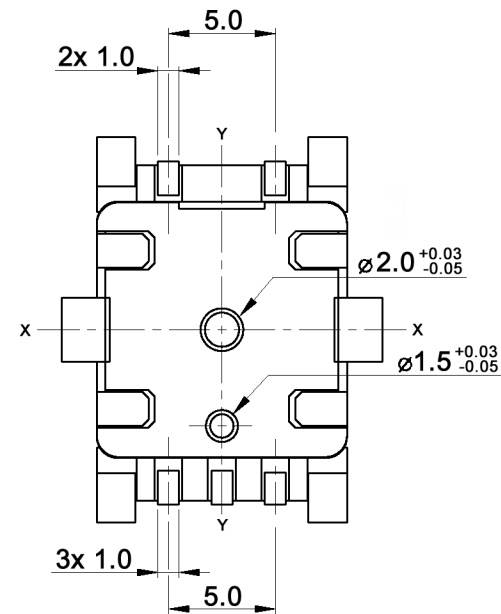
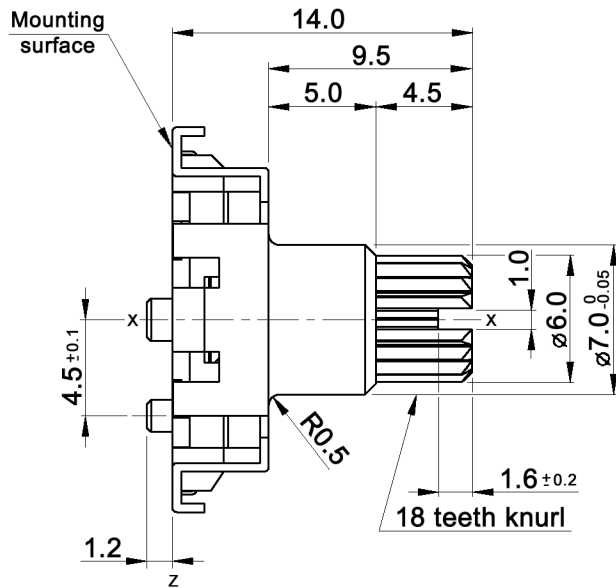
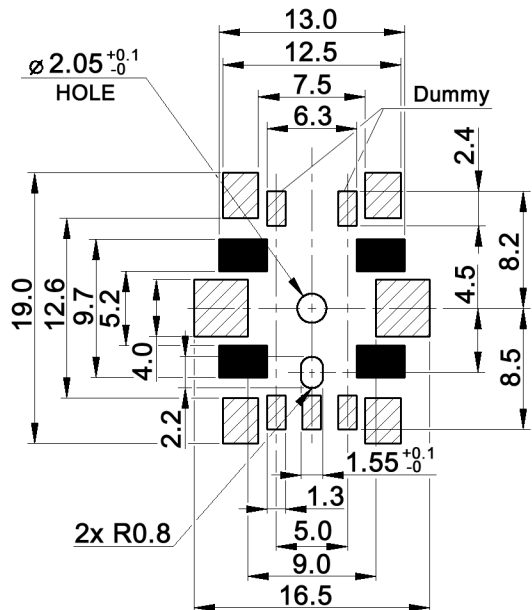


P.C.B. MOUNTING
(TOLERANCE ±0.1)
VIEWED FROM MOUNTING SIDE

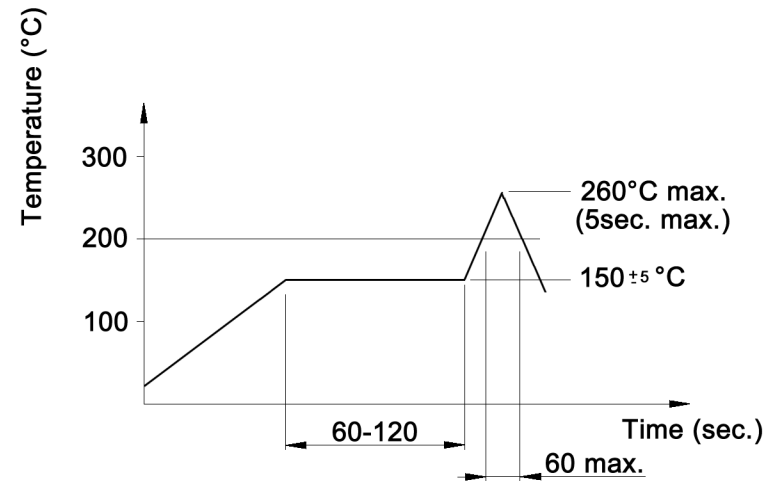


Tolerances: ≤10: ±0.3mm 10-100: ±0.5mm			Date	Name	<h1>MERS11-15295</h1>
			04/08	dr	
			<h2>knitter-switch</h2>		<h1>30 14 65</h1>
Output signal format	04/11	dr			Page
Modifications	Date	Name			1/2

Specifications:

Contact rating: 10mA, 5V DC (1mA min.)
Contact resistance: 100mOhm max.
Insulation resistance: 100MOhm min. at 250V DC / 1mA
Dielectric strength: 300V AC for 1 minute
Operating temperature: -40°C to +85°C
Storage temperature: -40°C to +85°C
Rotational life: 15 000 cycles
Detent torque: 10 +/-7mNm
Resolution: 15 pulses
No. of detents: 30 detents; step angle: 12° +/-3°

Soldering conditions:



OUTPUT SIGNAL FORMAT

Shaft rotational direction	Signal	Output
C.W.	Terminal A-C	OFF ON
	Terminal B-C	OFF ON
C.C.W.	Terminal A-C	OFF ON
	Terminal B-C	OFF ON



Tolerances: ≤10: ±0.3mm 10-100: ±0.5mm		Date	Name	MERS11-15295
		04/08	dr	
		knitter-switch		30 14 65
Modifications		Date	Name	Page 2/2