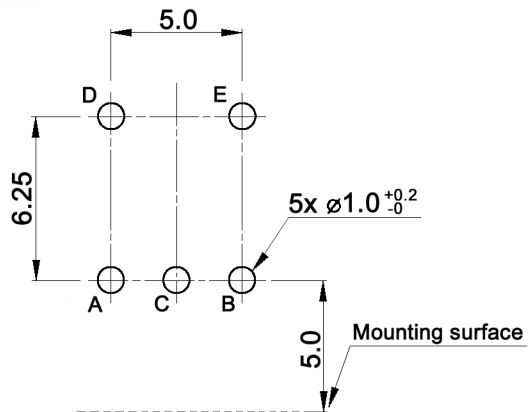
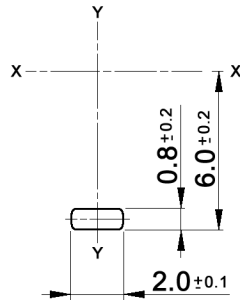


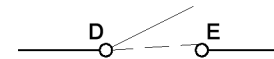
P.C.B. MOUNTING
Viewed from mounting side



LUG DETAIL



CIRCUIT DIAGRAM

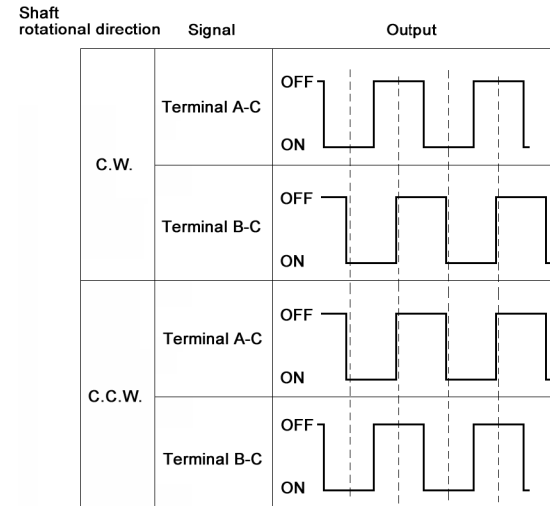


Tolerances: ≤10: ±0.3mm 10-100: ±0.5mm			Date	Name	<h1>MERP9-15415AM7R</h1>
			04/08	dr	
			knitter-switch		<h2>30 14 50</h2>
Output signal format	03/11	dr			Page
Modifications	Date	Name			1/2

Specifications:

Contact rating: 10mA, 5V DC (1mA min.)
 Contact resistance: 100mOhm max.
 Insulation resistance: 100MOhm min. at 250V DC / 1mA
 Dielectric strength: 300V AC for 1 minute
 Operating temperature: -10°C to +65°C
 Storage temperature: -10°C to +65°C
 Rotational life: 15 000 cycles
 Detent torque: 10 +/-5mNm
 Resolution: 15 pulses
 No. of detents: 30 detents; step angle: 12° +/-3°
 Soldering conditions: 260 +/-5°C, 5 +/-1.0sec.
 Switch: Travel: 0.5^{+0.7}_{-0.3} mm
 Mechanical life: 10 000 cycles
 Operating force: 5 +/-3N

OUTPUT SIGNAL FORMAT



Tolerances: ≤10: ±0.3mm 10-100: ±0.5mm		Date	Name	MERP9-15415AM7R
		04/08	dr	
		knitter-switch		30 14 50
Modifications	Date	Name		Page 2/2