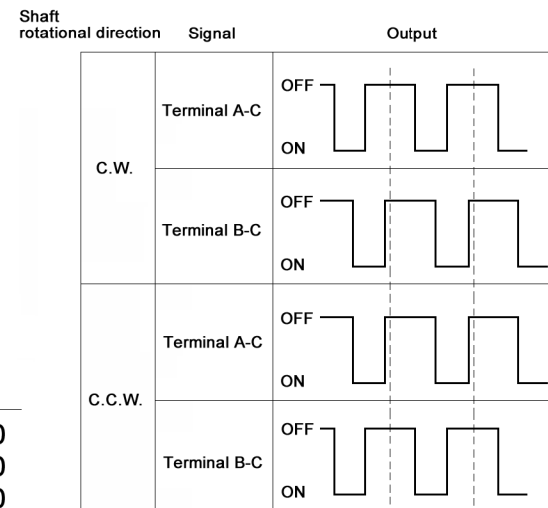


h	LM1	L1
15	15.0	3.0
17.5	17.5	5.0
20	20.0	6.0
25	25.0	12.0
30	30.0	12.0

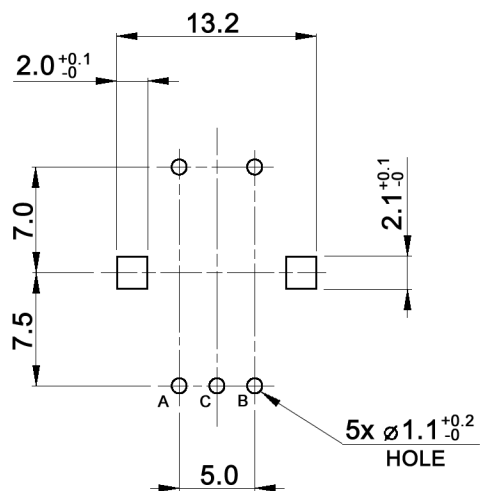
### Output signal format



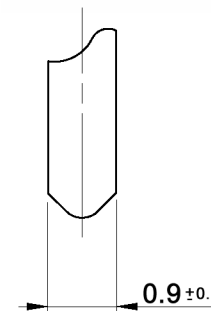
### Specifications:

- Contact rating: 10mA (50µA min.), 5V DC
- Contact resistance: 100mOhm max.
- Insulation resistance: 10MOhm min.
- Dielectric strength: 300V AC for 1 minute
- Operating temperature: -40°C to +85°C
- Mechanical life: 20 000 cycles
- Operating angle: 360° - endless
- Resolution: 24 detents / 24 pulses
- Chattering: ≤ 3ms
- Operating force: 300gf +150/-100gf
- Rotate force: 0.5Ncm to 2Ncm with detent
- Soldering conditions: auto-soldering: 260 +/-5°C, 3sec. max.

### P.C.B. MOUNTING HOLE DETAIL VIEWED FROM MOUNTING SIDE



### TERMINAL DETAIL



Tolerances: ≤ 10: ±0.3mm 10 - 100: ±0.5mm		Date	Name
		07/09	dr
Rename	03/11 dr		
Shaft flat	11/09 dr		
Modifications	Date Name		

# MERP12-241h

## 30 18 79

Page

1/1