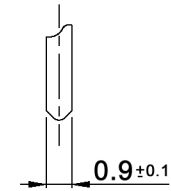
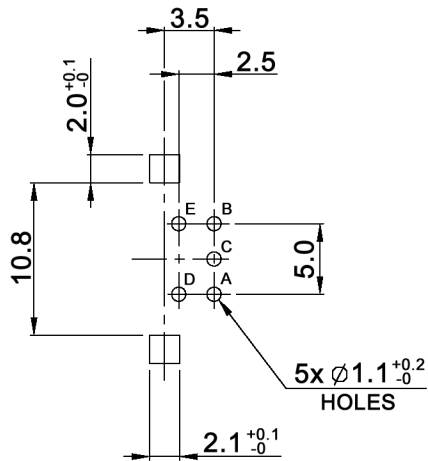


TERMINAL DETAIL

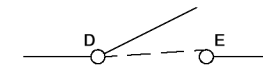


P.C.B. MOUNTING
(TOLERANCE ±0.1)
VIEWED FROM MOUNTING SIDE
t=1.6mm



h	LM	L1
17.5	17.5	5.0
20	20.0	7.0
25	25.0	12.0
30	30.0	12.0

CIRCUIT DIAGRAM

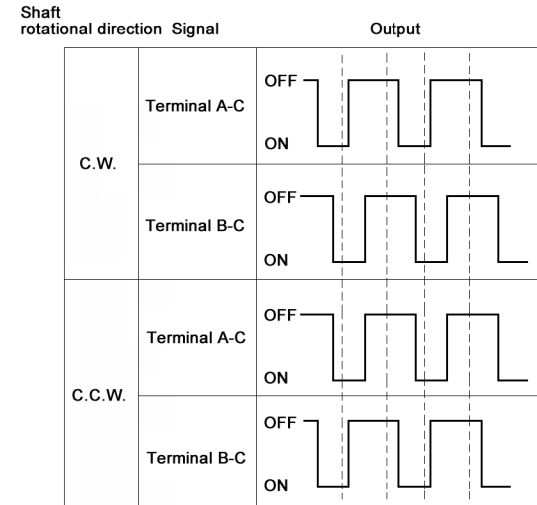


Tolerances: ≤10: ±0.3mm 10-100: ±0.5mm		Date	Name	<h1>MERP12-121h-R</h1>
		03/11	dr	
		knitter-switch		30 23 42
Modifications		Date	Name	Page 1/2

Specifications:

Contact rating: 0.5mA, 5V DC
 Contact resistance: 100mOhm max.
 Insulation resistance: 100MOhm min. at 250V DC
 Dielectric strength: 300V AC for 1 minute
 Operating temperature: -40°C to +85°C
 Storage temperature: -40°C to +85°C
 Resolution: 12 pulses / 360° for each phase
 Detent torque: 30-200gf.cm
 No. and pos. of detents: 24 detents; step angle: 15° +/-3°
 Rotational life: 30 000 cycles
 Soldering conditions: 260 +/-5°C, 5 +/-1sec.
 Switch: Mechanical life: 20 000 cycles
 Operating force: 300 +150/-100gf

OUTPUT SIGNAL FORMAT



Tolerances: ≤10: ±0.3mm 10-100: ±0.5mm		Date	Name	<h1>MERP12-121h-R</h1>
		03/11	dr	
		knitter-switch		30 23 42
				Page
				2/2
Modifications	Date	Name		