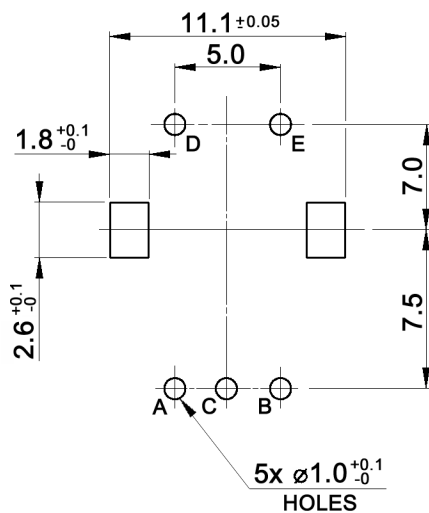
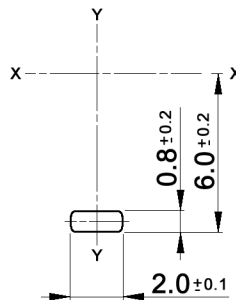


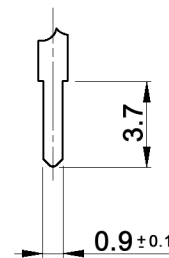
P.C.B. MOUNTING
(TOLERANCE ±0.1)
VIEWED FROM MOUNTING SIDE
t=1.6mm



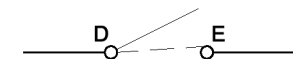
LUG DETAIL



TERMINAL DETAIL



CIRCUIT DIAGRAM

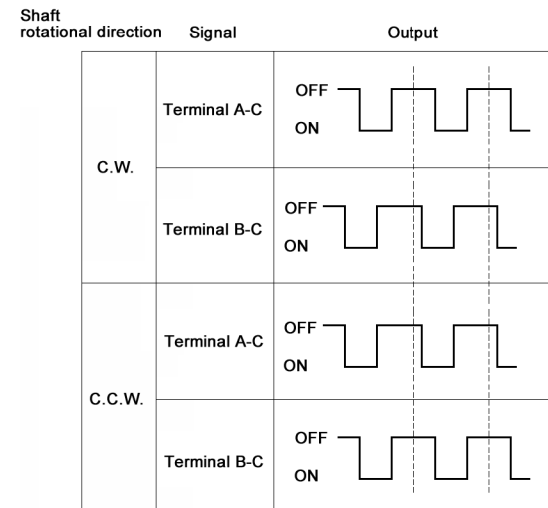


Tolerances: ≤10: ±0.3mm 10-100: ±0.5mm			Date	Name	MERP11-20125BM7
			04/08	dr	
Output signal format	03/11	dr	knitter-switch		30 14 59
Temperatures	07/08	dr			
Modifications	Date	Name			Page 1/2

Specifications:

Contact rating: 10mA, 5V DC (1mA min.)
 Contact resistance: 100mOhm max.
 Insulation resistance: 100MOhm min. at 250V DC / 1mA
 Dielectric strength: 300V AC for 1 minute
 Operating temperature: -40°C to +85°C
 Storage temperature: -40°C to +85°C
 Rotational life: 15 000 cycles
 Detent torque: 12 +/-7mNm
 Resolution: 20 pulses
 No. of detents: 20 detents; step angle: 18° +/-3°
 Soldering conditions: 260 +/-5°C, 5 +/-1.0sec.
 Switch: Travel: 0.5^{+0.4}_{-0.3} mm
 Mechanical life: 25 000 cycles
 Operating force: 6 +/-3N

OUTPUT SIGNAL FORMAT



Tolerances: ≤10: ±0.3mm 10-100: ±0.5mm		Date	Name	MERP11-20125BM7
		04/08	dr	
		knitter-switch		30 14 59
				Page
				2/2
Modifications	Date	Name		