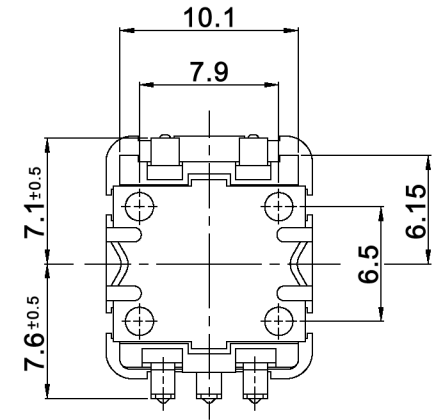
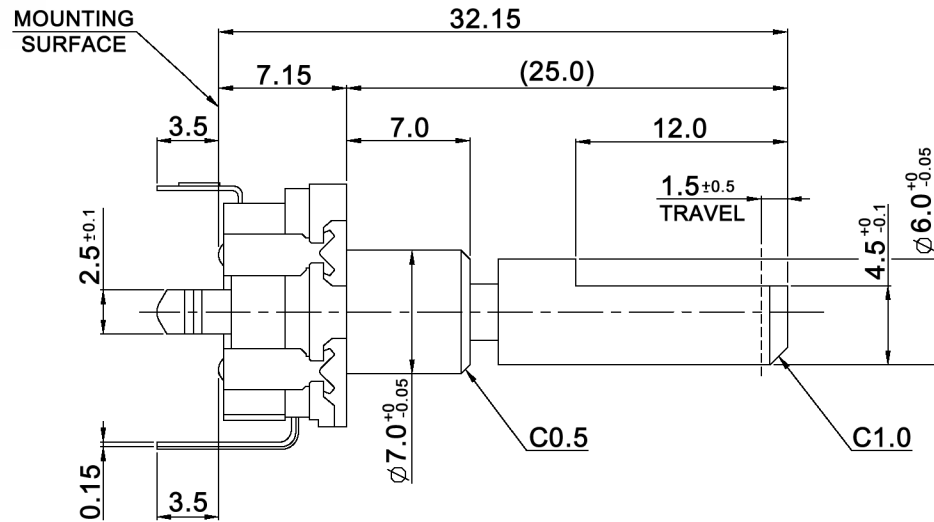
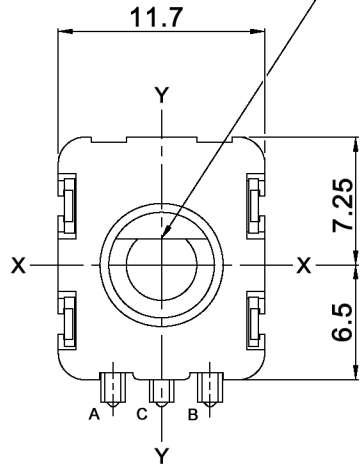
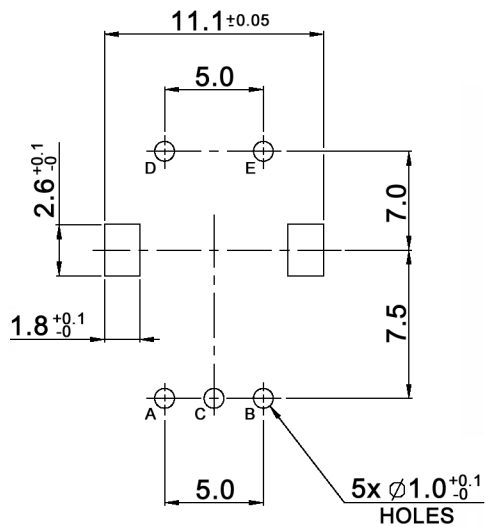


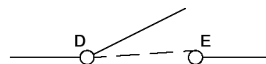
SHAFT FLAT IS OPTIONAL ANGLE



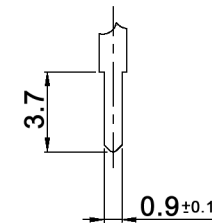
P.C.B. MOUNTING DETAIL  
(TOLERANCE  $\pm 0.1$ )  
VIEWED FROM MOUNTING SIDE  
 $t=1.6\text{mm}$



CIRCUIT DIAGRAM



TERMINAL DETAIL

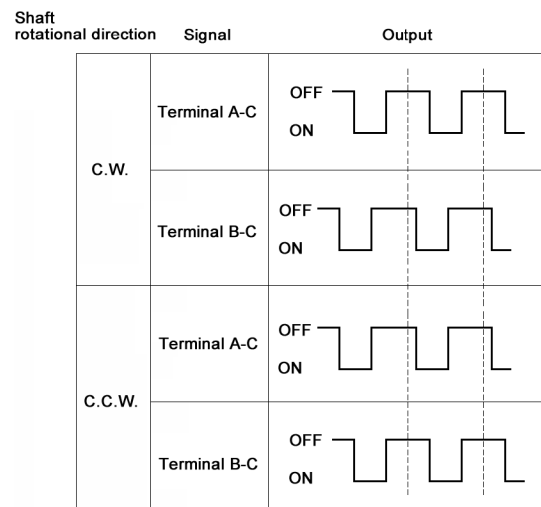


Tolerances: $\leq 10: \pm 0.3\text{mm}$ $10-100: \pm 0.5\text{mm}$		Date	Name	<h1>MERP11-20125B-1.5</h1>
		05/11	dr	
		<b>knitter-switch</b>		<h2>30 23 65</h2>
Modifications	Date	Name		Page 1/2

**Specifications:**

Contact rating: 10mA, 5V DC  
 Contact resistance: 100mOhm max.  
 Insulation resistance: 100MOhm min. at 250V DC  
 Dielectric strength: 300V AC for 1 minute  
 Operating temperature: -40°C to +85°C  
 Storage temperature: -40°C to +85°C  
 Resolution: 20 pulses / 360° for each phase  
 Detent torque: 30-200gf.cm  
 No. and pos. of detents: 20 detents; step angle: 18° +/-3°  
 Rotational life: 15 000 cycles  
 Soldering conditions: 260 +/-5°C, 5 +/-1sec.  
 Switch: Mechanical life: 20 000 cycles  
 Operating force: 400 +/-200gf

**OUTPUT SIGNAL FORMAT**



Tolerances: ≤10: ±0.3mm 10-100: ±0.5mm		Date	Name	<b>MERP11-20125B-1.5</b>
		05/11	dr	
		<b>knitter-switch</b>		<b>30 23 65</b>
				Page
				2/2
Modifications	Date	Name		