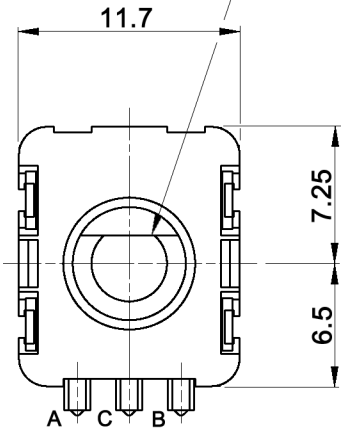
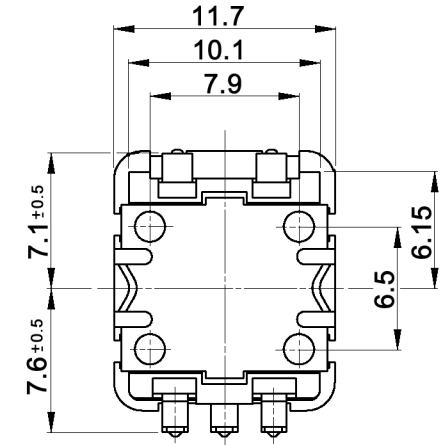
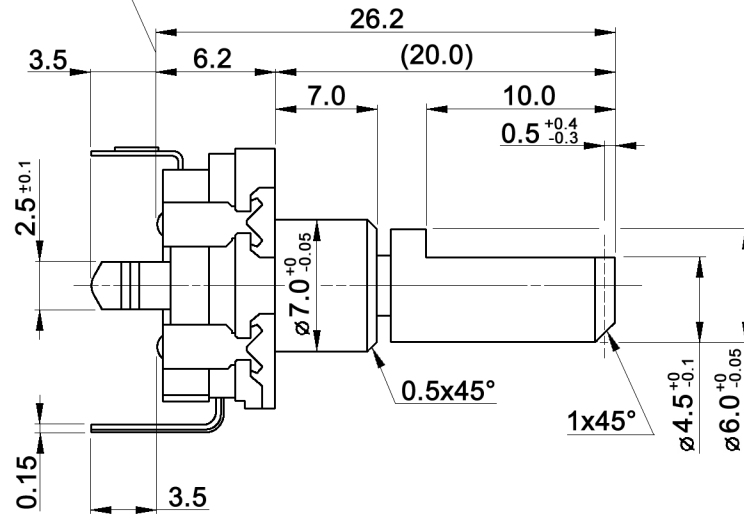


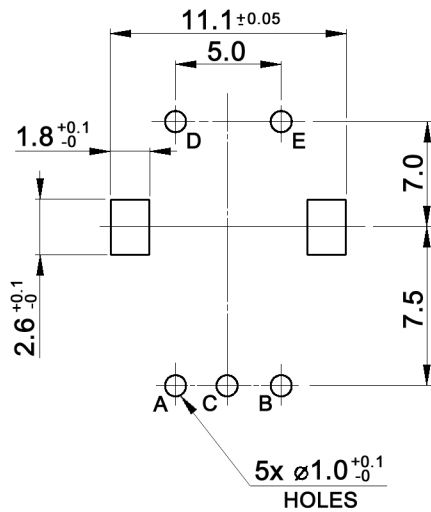
Shaft flat is optional angle



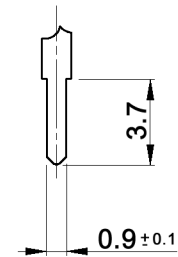
Mounting surface



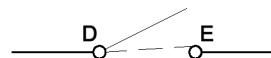
P.C.B. MOUNTING
(TOLERANCE ± 0.1)
VIEWED FROM MOUNTING SIDE
 $t=1.6\text{mm}$



TERMINAL DETAIL



CIRCUIT DIAGRAM

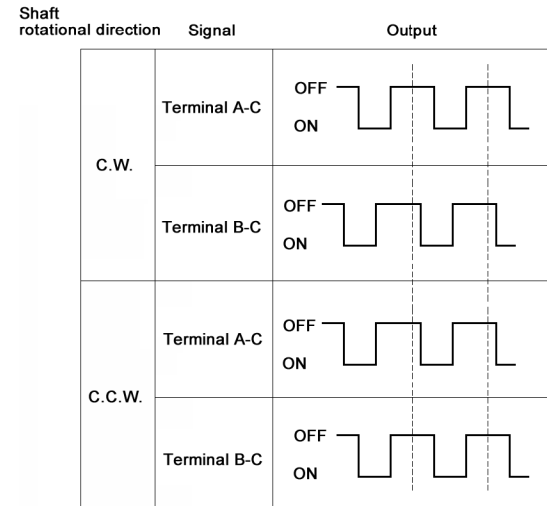


Tolerances: $\leq 10: \pm 0.3\text{mm}$ $10-100: \pm 0.5\text{mm}$			Date	Name	<h1>MERP11-20120B</h1>
			04/08	dr	
Output signal format	03/11	dr	<h2>knitter-switch</h2>		<h1>30 14 58</h1>
Temperatures	07/08	dr			
Modifications	Date	Name			Page 1/2

Specifications:

Contact rating: 10mA, 5V DC (1mA min.)
 Contact resistance: 100mOhm max.
 Insulation resistance: 100MOhm min. at 250V DC / 1mA
 Dielectric strength: 300V AC for 1 minute
 Operating temperature: -40°C to +85°C
 Storage temperature: -40°C to +85°C
 Rotational life: 15 000 cycles
 Detent torque: 12 +/-7mNm
 Resolution: 20 pulses
 No. of detents: 20 detents; step angle: 18° +/-3°
 Soldering conditions: 260 +/-5°C, 5 +/-1.0sec.
 Switch: Travel: 0.5^{+0.4}_{-0.3} mm
 Mechanical life: 25 000 cycles
 Operating force: 6 +/-3N

OUTPUT SIGNAL FORMAT



Tolerances: ≤10: ±0.3mm 10-100: ±0.5mm		Date	Name	<h1>MERP11-20120B</h1>
		04/08	dr	
			knitter-switch	<h2>30 14 58</h2>
Modifications		Date	Name	Page 2/2