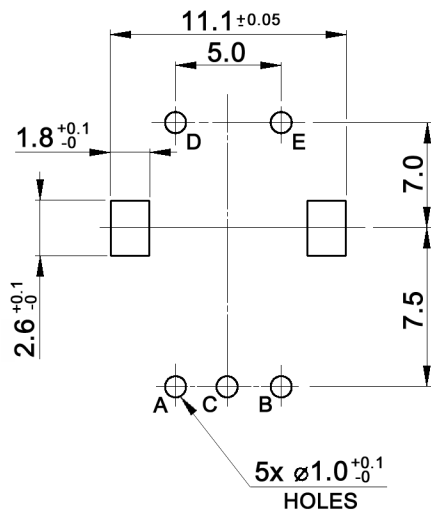


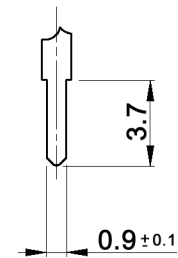
P.C.B. MOUNTING  
(TOLERANCE ±0.1)  
VIEWED FROM MOUNTING SIDE  
t=1.6mm



CIRCUIT DIAGRAM



TERMINAL DETAIL



Tolerances: ≤10: ±0.3mm 10-100: ±0.5mm			Date	Name	<h1>MERP11-20115B-1.5</h1>
			03/11	dr	
			<b>knitter-switch</b>		<h2>30 23 41</h2>
Output signal format	03/11	dr			
Modifications	Date	Name			Page 1/2

