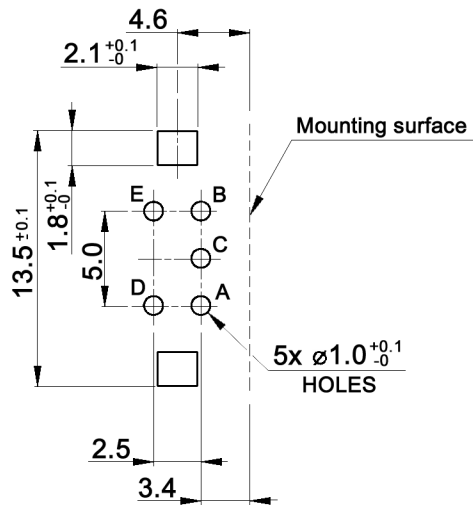
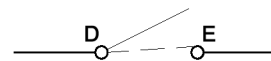


P.C.B. MOUNTING
t=1.6mm



CIRCUIT DIAGRAM



| | | |
|---|-------|------|
| Tolerances: ≤10: ±0.3mm 10-100: ±0.5mm | Date | Name |
| | 04/08 | dr |
| | | |
| | | |
| | | |
| | | |
| | | |
| Temperatures | 07/08 | dr |
| Modifications | Date | Name |

MERP11-15420B-R

knitter-switch

30 14 54

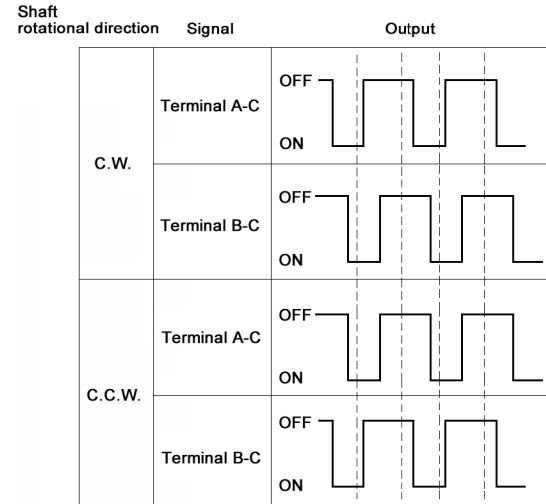
Page

1/2

Specifications:

Contact rating: 10mA, 5V DC (1mA min.)
 Contact resistance: 100mOhm max.
 Insulation resistance: 100MOhm min. at 250V DC / 1mA
 Dielectric strength: 300V AC for 1 minute
 Operating temperature: -40°C to +85°C
 Storage temperature: -40°C to +85°C
 Rotational life: 15 000 cycles
 Detent torque: 11 +/-8mNm
 Resolution: 15 pulses
 No. of detents: 30 detents; step angle: 12° +/-3°
 Soldering conditions: 260 +/-5°C, 5 +/-1.0sec.
 Switch: Travel: 0.5^{+0.4}_{-0.3} mm
 Mechanical life: 25 000 cycles
 Operating force: 6 +/-3N

Output signal format



| | | | | |
|---|------|-----------------------|------|------------------------|
| Tolerances: ≤10: ±0.3mm 10-100: ±0.5mm | | Date | Name | MERP11-15420B-R |
| | | 04/08 | dr | |
| | | | | |
| | | | | |
| | | knitter-switch | | 30 14 54 |
| | | | | Page |
| | | | | 2/2 |
| Modifications | Date | Name | | |