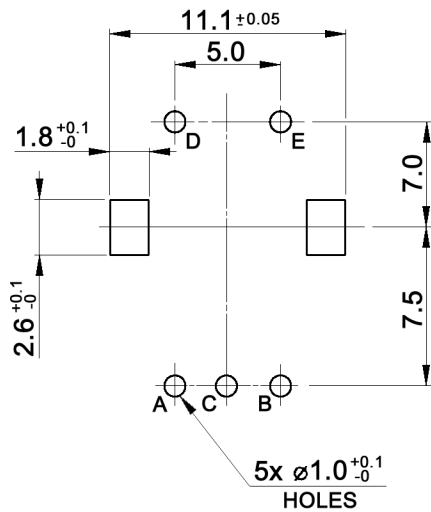
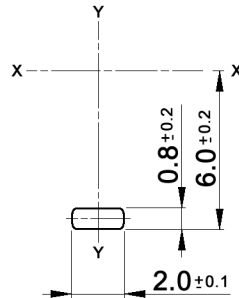


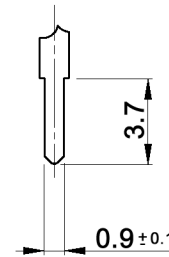
P.C.B. MOUNTING  
t=1.6mm



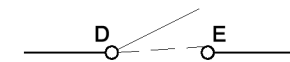
LUG DETAIL



TERMINAL DETAIL



CIRCUIT DIAGRAM

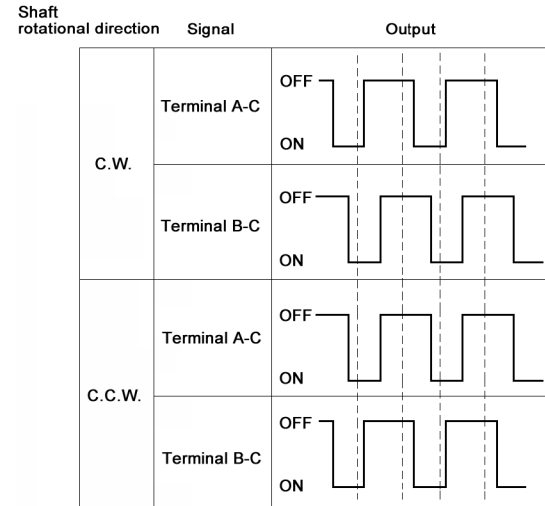


Tolerances: ≤10: ±0.3mm 10-100: ±0.5mm			Date	Name	<b>MERP11-15125BM7</b>
			05/10	dr	
			<b>knitter-switch</b>		<b>30 20 88</b>
Modifications			Date	Name	Page 1/2

**Specifications:**

Contact rating: 10mA, 5V DC (1mA min.)  
 Contact resistance: 100mOhm max.  
 Insulation resistance: 100MOhm min. at 250V DC / 1mA  
 Dielectric strength: 300V AC for 1 minute  
 Operating temperature: -40°C to +85°C  
 Storage temperature: -40°C to +85°C  
 Rotational life: 15 000 cycles  
 Detent torque: 30-200gf.cm  
 Resolution: 15 pulses  
 No. of detents: 30 detents; step angle: 12 +/-3°  
 Soldering conditions: 260 +/-5°C, 5 +/-1.0sec.  
 Switch: Travel: 0.5<sup>+0.4</sup><sub>-0.3</sub> mm  
 Mechanical life: 20 000 cycles  
 Operating force: 600 +/-300gf

**Output signal format**



Tolerances: ≤10: ±0.3mm 10-100: ±0.5mm		Date	Name	<h1>MERP11-15125BM7</h1>
		05/10	dr	
		<b>knitter-switch</b>		<b>30 20 88</b>
				Page
				2/2
Modifications	Date	Name		