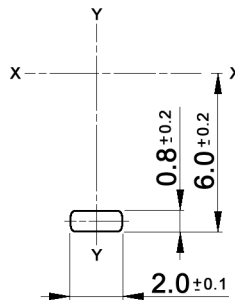
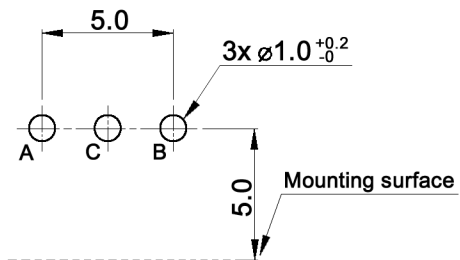


LUG DETAIL



P.C.B. MOUNTING
Viewed from mounting side

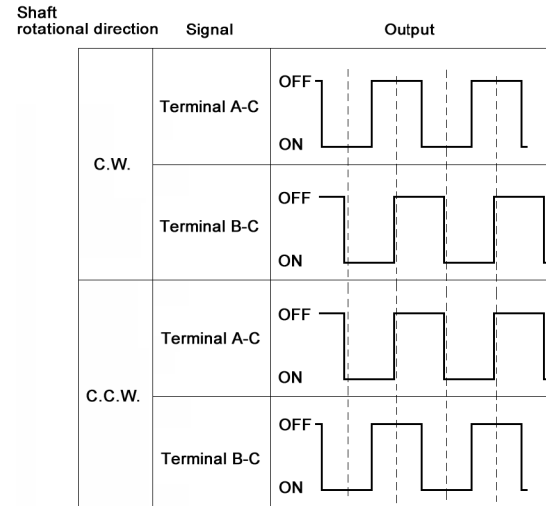


Tolerances: ≤10: ±0.3mm 10-100: ±0.5mm			Date	Name	MER9-15325CM7R
			04/08	dr	
			knitter-switch		30 14 49
Output signal format	03/11	dr			
Modifications	Date	Name			Page 1/2

Specifications:

Contact rating: 10mA, 5V DC (1mA min.)
 Insulation resistance: 100MΩ min. at 250V DC / 1mA
 Dielectric strength: 300V AC for 1 minute
 Operating temperature: -10°C to +65°C
 Storage temperature: -10°C to +65°C
 Rotational life: 15 000 cycles
 Detent torque: 10 +/-5mNm
 Resolution: 15 pulses
 No. of detents: 30 detents; step angle: 12° +/-3°
 Soldering conditions: 260 +/-5°C, 5 +/-1.0sec.

OUTPUT SIGNAL FORMAT



Tolerances: ≤10: ±0.3mm 10-100: ±0.5mm		Date	Name	MER9-15325CM7R
		04/08	dr	
			knitter-switch	30 14 49
Modifications		Date	Name	Page 2/2