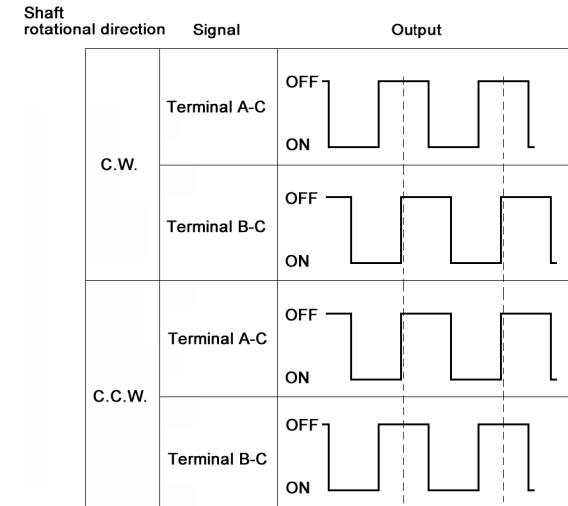
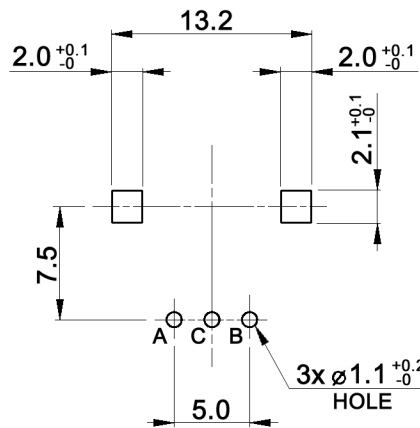


h	L	LF
17.5	17.5	5.0
20	20.0	7.0
25	25.0	12.0
30	30.0	12.0

OUTPUT SIGNAL FORMAT



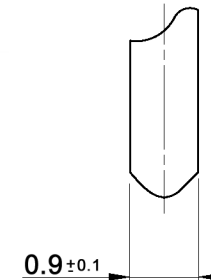
P.C.B. MOUNTING (TOLERANCE ±0.1) VIEWED FROM MOUNTING SIDE t=1.6mm



Specifications:

Contact rating: 10mA, 5V DC (1mA min.)
 Contact resistance: 100mOhm max.
 Insulation resistance: 100MOhm min. at 250V DC / 1mA
 Dielectric strength: 300V AC for 1 minute
 Operating temperature: -40°C to +85°C
 Rotational life: 30 000 cycles
 Detent torque: 3-20mNm
 No. of detents: 24 detents; step angle: 15° +/-3°
 Soldering conditions: 260 +/-5°C, 3 +/-1.0sec.

TERMINAL DETAIL



Tolerances: ≤10: ±0.3mm 10-100: ±0.5mm		Date	Name
		04/08	dr
Output signal format	04/11	dr	knitter-switch
Revised	10/09	dr	
Modifications	Date	Name	

MER12-241h

30 14 62

Page

1/1