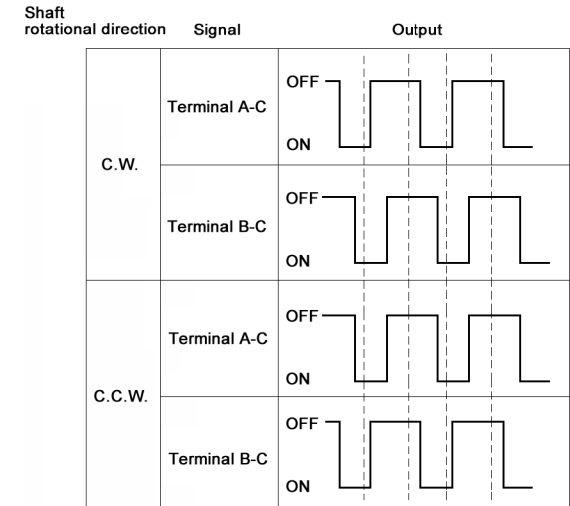
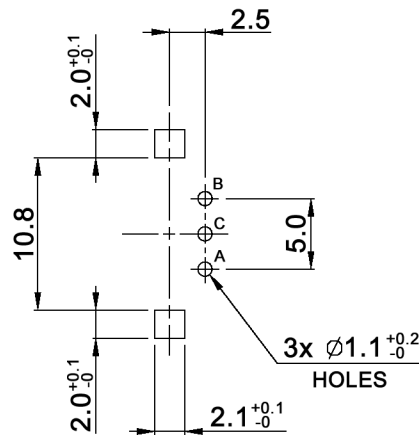


Output signal format



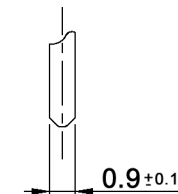
P.C.B. MOUNTING VIEWED FROM MOUNTING SIDE t=1.6mm



Specifications:

Contact rating:	0.5mA, 5V DC
Insulation resistance:	100MΩ min. at 250V DC
Dielectric strength:	300V AC for 1 minute
Operating temperature:	-40°C to +85°C
Storage temperature:	-40°C to +85°C
Rotational life:	30 000 cycles
Soldering conditions:	260 +/-5°C, 5 +/-1sec.
Detent torque:	30-200gf.cm
No. and pos. of detents:	24 detents, step angle: 15 +/-3°
No. of pulses:	24 pulses / 360°

TERMINAL DETAIL



Tolerances: ≤10: ±0.3mm 10-100: ±0.5mm		Date	Name	<h1>MER12-2418.5 R</h1>
		10/10	dr	
		knitter-switch		<h2>30 21 83</h2>
Modifications	Date	Name		Page 1/1