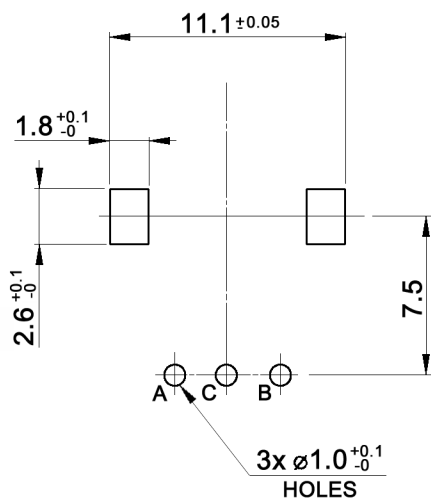
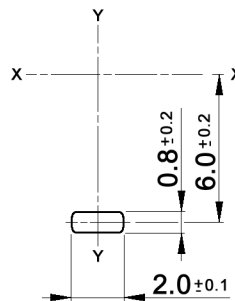


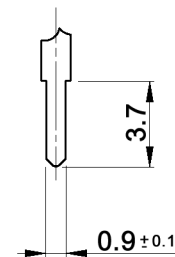
P.C.B. MOUNTING
VIEWED FROM MOUNTING SIDE
t=1.6mm



LUG DETAIL



TERMINAL DETAIL



Tolerances: ≤10: ±0.3mm 10-100: ±0.5mm		Date	Name	<h1>MER11-20120BM7</h1>
		10/10	dr	
Modifications	Date	Name		

knitter-switch

30 22 04

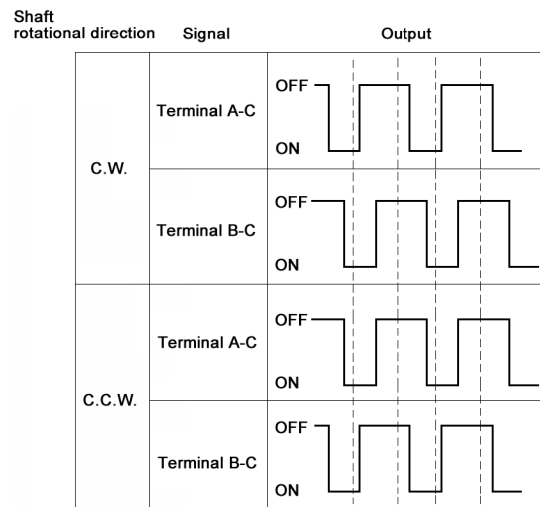
Page

1/2

Specifications:

Contact rating: 10mA, 5V DC
 Contact resistance: 100mOhm max.
 Insulation resistance: 100MOhm min. at 250V DC
 Dielectric strength: 300V AC for 1 minute
 Operating temperature: -40°C to +85°C
 Storage temperature: -40°C to +85°C
 Rotational life: 15 000 cycles
 Detent torque: 30-200gf.cm
 Resolution: 20 pulses
 No. of detents: 20 detents; step angle: 18° +/-3°
 Soldering conditions: 260 +/-5°C, 5 +/-1.0sec.

Output signal format



Tolerances: ≤10: ±0.3mm 10-100: ±0.5mm		Date	Name	MER11-20120BM7
		10/10	dr	
			knitter-switch	30 22 04
Modifications		Date	Name	Page 2/2