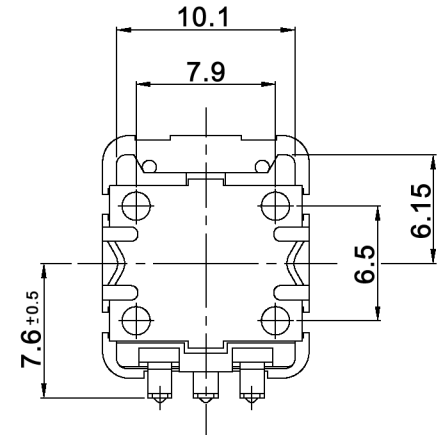
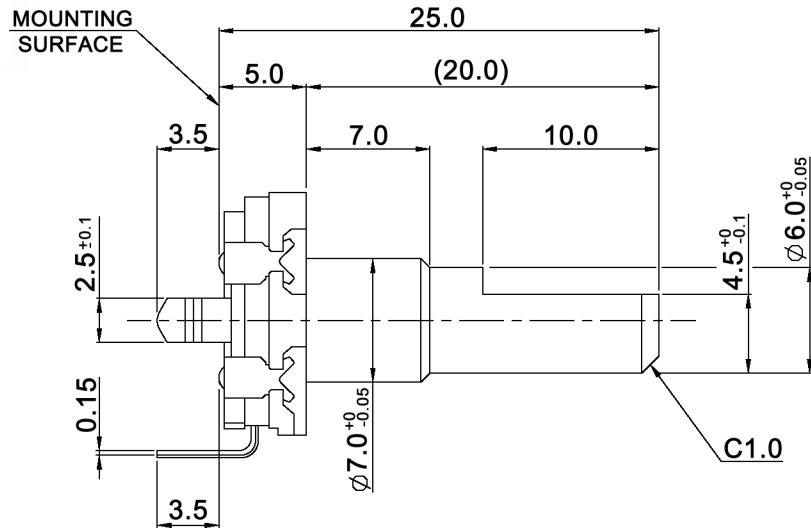
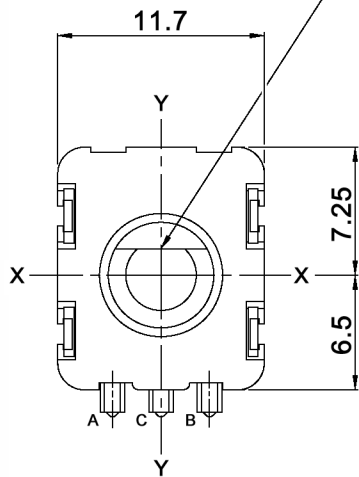
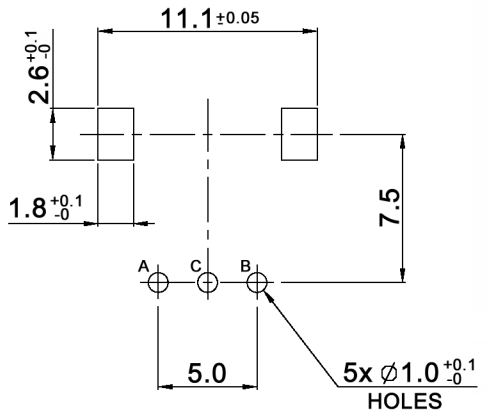


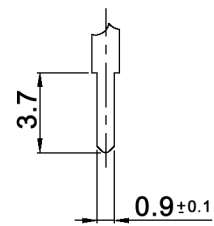
SHAFT FLAT IS OPTIONAL ANGLE



P.C.B. MOUNTING
(TOLERANCE ±0.1)
VIEWED FROM MOUNTING SIDE
t=1.6mm



TERMINAL DETAIL

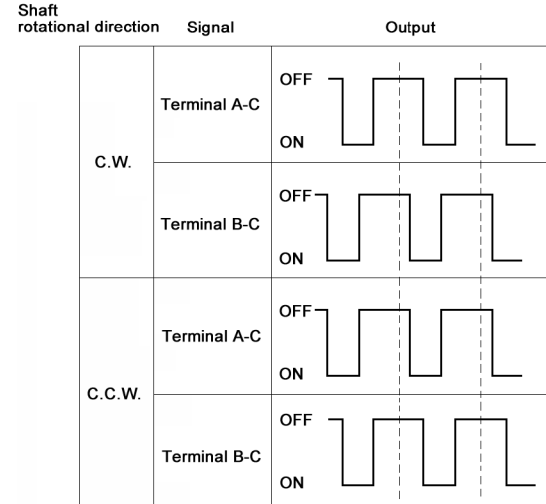


Tolerances: ≤10: ±0.3mm 10-100: ±0.5mm			Date	Name	<h1>MER11-20120B</h1>
			03/11	dr	
			knitter-switch		<h2>30 23 47</h2>
Output signal format	04/11	dr			Page
Modifications	Date	Name			1/2

Specifications:

Contact rating: 10mA, 5V DC
 Insulation resistance: 100MOhm min. at 250V DC
 Dielectric strength: 300V AC for 1 minute
 Operating temperature: -40°C to +85°C
 Storage temperature: -40°C to +85°C
 Resolution: 20 pulses / 360° each phase
 Detent torque: 30-200gf.cm
 No. and pos. of detents: 20 detents; step angle: 18° +/-3°
 Rotational life: 15 000 cycles
 Soldering conditions: 260 +/-5°C, 5 +/-1sec.

OUTPUT SIGNAL FORMAT



Tolerances: ≤10: ±0.3mm 10-100: ±0.5mm		Date	Name	MER11-20120B
		03/11	dr	
		knitter-switch		30 23 47
				Page
				2/2
Modifications	Date	Name		