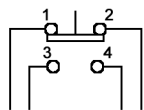
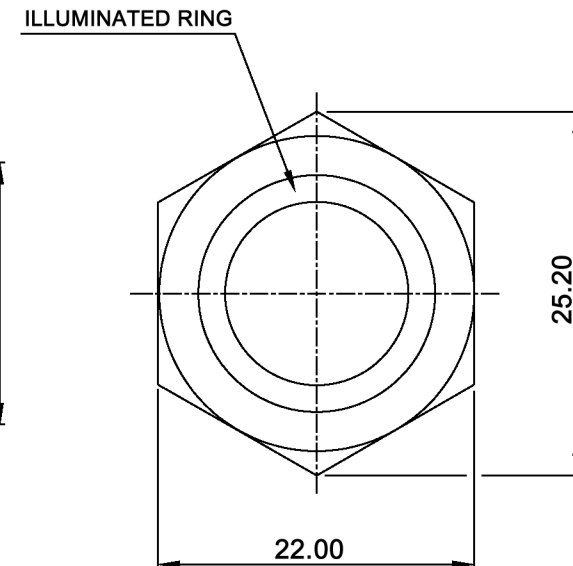
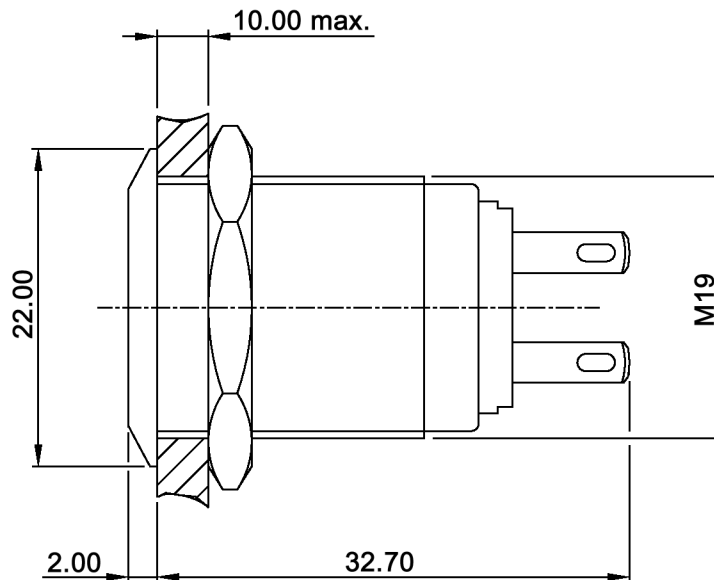


CONTACT CONFIGURATION



x	LED color
R	red
G	green
Y	yellow
O	orange
B	blue
W	white
RG	red/green

y	LED voltage
	AC/DC for single color, DC for dual color
6V	6V, 15mA
12V	12V, 15mA
24V	24V, 15mA
36V	36V, 15mA
110V	110V, 5mA
220V	220V, 5mA



Specifications:

Contact rating: 5mA, 48V DC; 5A, 250V AC
 Contact resistance: 50mOhm max.
 Insulation resistance: 1 000MOhm min. at 500V DC
 Dielectric strength: 2 000V RMS (50/60Hz)
 Operating temperature: -40°C to +85°C
 Electrical life: 50 000 cycles
 Operating force: 4N max.
 Switching function: on - mom
 IP class: IP65 protection
 IK class: 09
 Torque: 5-14Nm max. applied to nut

Material:
 Bushing / button: stainless steel
 with varnished polished
 Contact: gold plated over silver alloy
 Nut: nickel plated brass
 Base: PBT
 Terminals: gold plated brass



Tolerances: 0.00 to 30.00: ±0.20mm	Date	Name
30.01 to 80.00: ±0.25mm	05/09	dr
LED color / voltage	03/12	dr
Operating temperature	05/11	dr
IK class	06/10	dr
Operating temperature	04/10	dr
LED voltage	12/09	dr
Modifications	Date	Name

MAV02LB22M3GFRxy

knitter-switch

30 18 16

Page

1/1