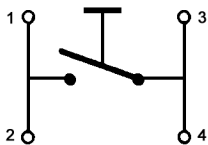
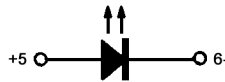


**CIRCUIT DIAGRAM**

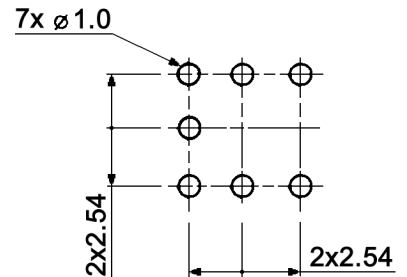


**LED**



| x | Color  | I <sub>F</sub> (mA) | U <sub>F</sub> (V) |
|---|--------|---------------------|--------------------|
| R | red    | 20                  | 2.0                |
| G | green  | 10                  | 1.95               |
| Y | yellow | 10                  | 1.9                |

**P.C. MOUNTING**



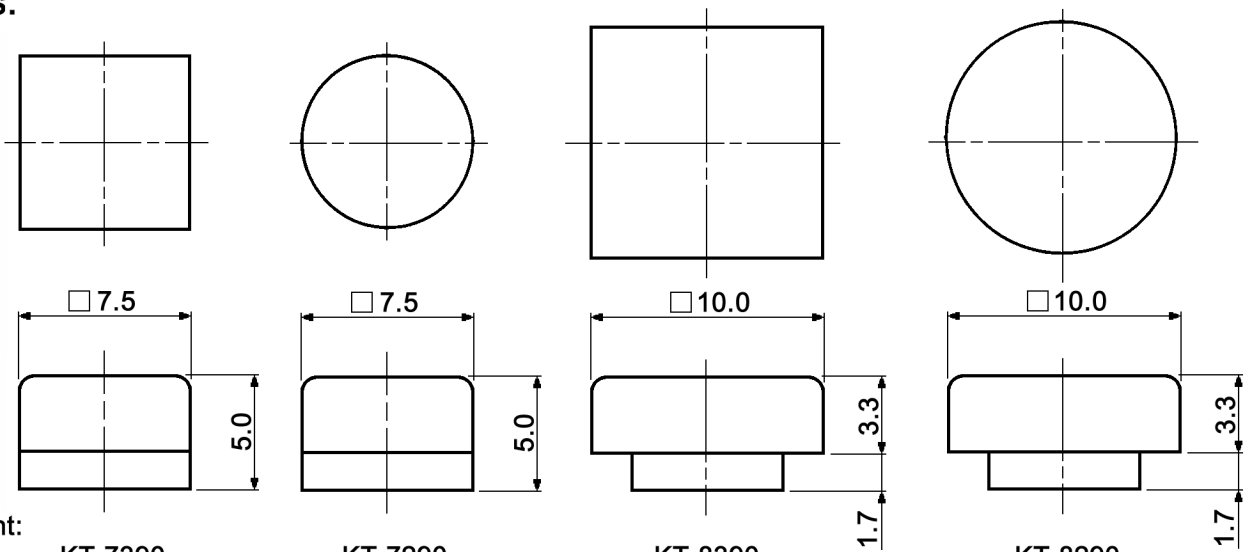
**Specifications:**

- Contact rating:** LTR: 10mA, 12V DC  
LTM: 50mA max., 48V DC, 1W
- Contact resistance:** LTR: 500Ohm max. at 1mA, 2V DC, 1.5N operating force  
LTM: 100mOhm max. at 1.5µA, 200µV AC, 2N operating force
- Insulation resistance:** 100MOhm min.
- Dielectric strength:** 250V, 50Hz for the duration of 1 minute
- Operating temperature:** -25°C to +70°C
- Mechanical life:** LTR: min. 100 000 cycles  
LTM: min. 300 000 cycles
- Soldering conditions:** LTR: auto-soldering: max.: 245 +/-10°C, 3sec.  
LTM: auto-soldering: max.: 300°C, 5sec.
- Switching function:** off - mom
- Travel:** LTR: 1mm  
LTM: 0.25mm
- Material:** Contacts: LTR: rubber contact bridge,  
fixed contact: phosphor bronze, gold plated  
LTM: stainless steel, silver plated  
Terminals: LTR: gold plated  
LTM: silver plated  
Case: PBT meets UL94V-0  
Caps: polycarbonat



|               |       |      |                        |                   |      |
|---------------|-------|------|------------------------|-------------------|------|
| Tolerances:   | Date  | Name | <h1>LTR 2 / LTM 2</h1> | <h2>30 16 95</h2> | Page |
|               | 01/09 | dr   |                        |                   |      |
|               |       |      |                        |                   |      |
|               |       |      |                        |                   |      |
|               |       |      |                        |                   |      |
|               |       |      | <b>knitter-switch</b>  |                   | 1/2  |
| Modifications | Date  | Name |                        |                   |      |

### Caps:



transparent:

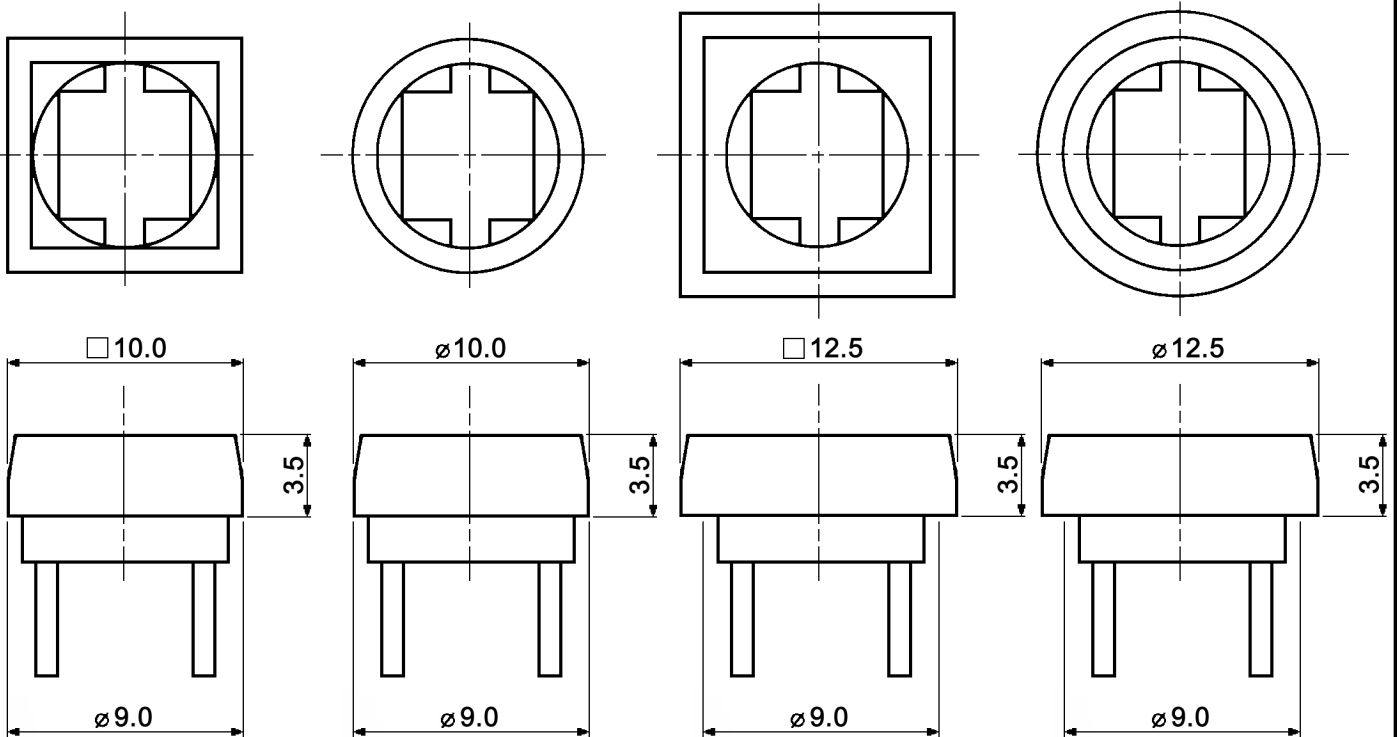
clear    KT 7390  
 red      KT 7399  
 green    KT 7396  
 yellow   KT 7398

KT 7290  
 KT 7299  
 KT 7296  
 KT 7298

KT 8390  
 KT 8399  
 KT 8396  
 KT 8398

KT 8290  
 KT 8299  
 KT 8296  
 KT 8298

### Bezels:



dark grey    FM 7317  
 grey        FM 7307

FM 7217  
 FM 7207

FM 8317  
 FM 8307

FM 8217  
 FM 8207



|               |       |      |
|---------------|-------|------|
| Tolerances:   | Date  | Name |
|               | 01/09 | dr   |
|               |       |      |
|               |       |      |
|               |       |      |
|               |       |      |
|               |       |      |
|               |       |      |
|               |       |      |
| Modifications | Date  | Name |

# LTR 2 / LTM 2

**knitter-switch**

**30 16 95**

Page  
2/2