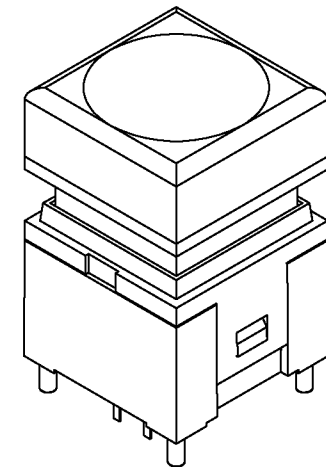
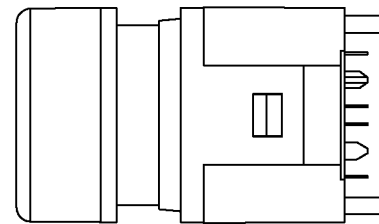
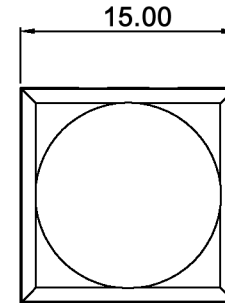
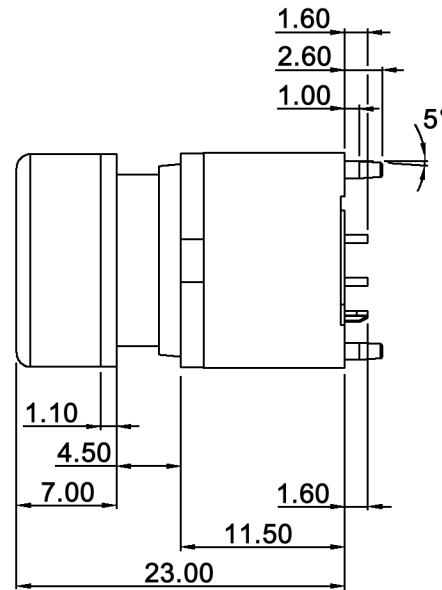
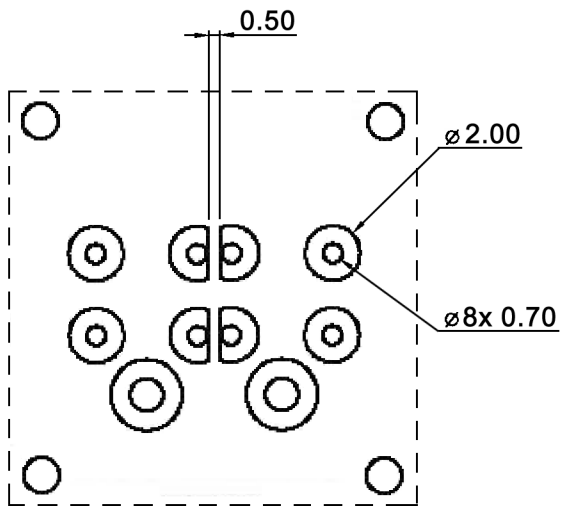


P.C.B. COPPER CLAD DESIGN



Tolerances: 0.00 to 30.00: ±0.20mm 30.01 to 80.00: ±0.25mm			Date	Name
			06/08	dr
Revised			12/10	dr
Dimensions			10/10	dr
LED specifications			10/10	dr
Modifications			Date	Name

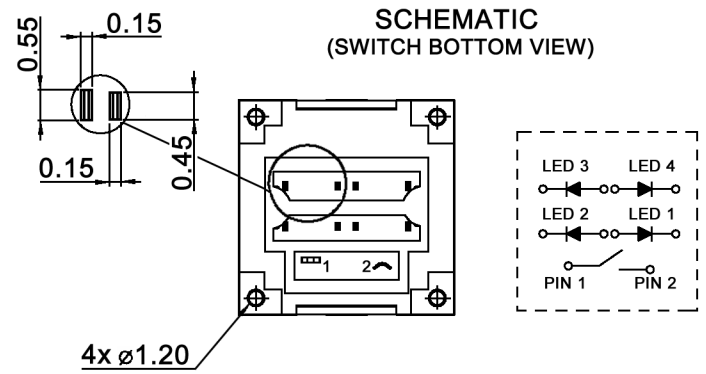
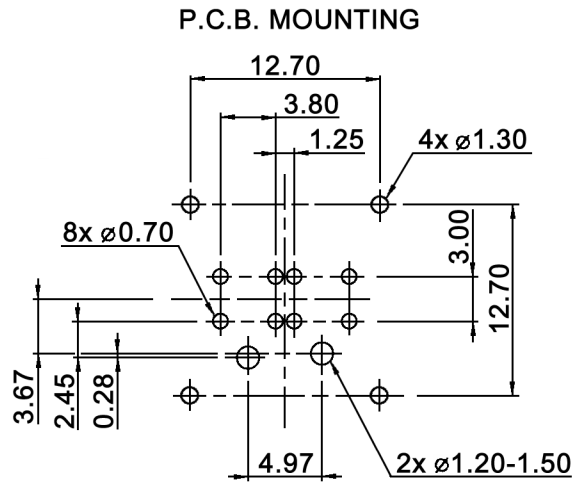
LP 14 CG-deeee

knitter-switch

30 15 10

Page

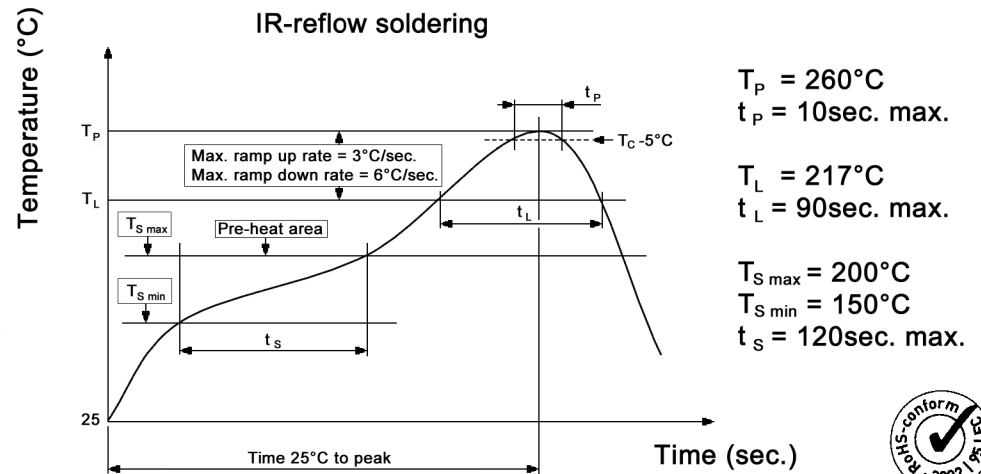
1/3



Specifications:

- Contact rating: 100mA, 12V DC (resistive load)
- Contact resistance: 20mOhm max.
- Insulation resistance: 100MOhm min. at 500V DC
- Dielectric strength: 600V AC for 1 minute
- Operating temperature: -40°C to +85°C
- Electrical life: 500 000 cycles min.
- Operating force: 180 +/-50gf
- Soldering conditions: auto-soldering: max.: 260°C, 3sec.
reflow soldering: see profile (remove cap and diffusor!)
- Switching function: off - mom
- Travel: 4.3mm; switching point: 2.9mm
- Material: Cover / housing: PA66
Terminal: phosphor bronze, tin plated over nickel
Movable contact: brass, gold plated over nickel
Diffuser / cap: PC
- Recommended insert legend: 12.8x12.8x0.1mm, polyester film

Soldering conditions:



Tolerances: 0.00 to 30.00: ±0.20mm		Date	Name
30.01 to 80.00: ±0.25mm		06/08	dr
Modifications	Date	Name	

LP 14 CG-deeee

knitter-switch 30 15 10

