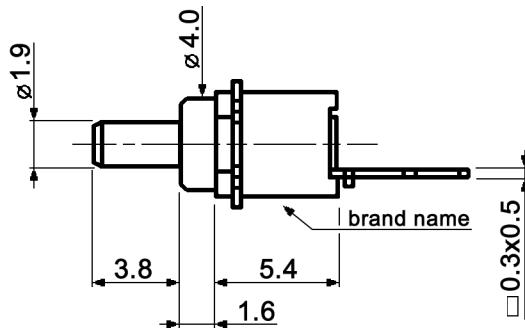
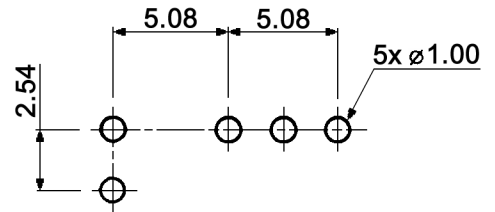


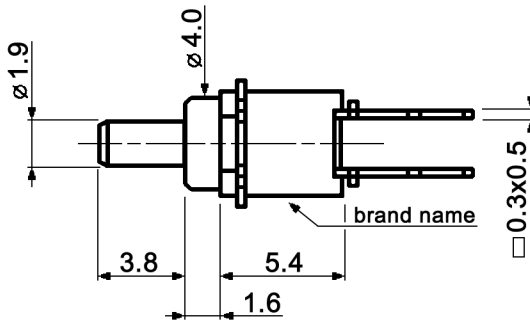
FT 1x-VM



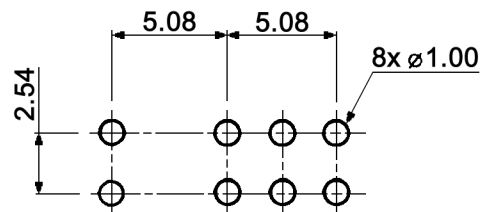
P.C. LAYOUT



FT 2x-VM



P.C. LAYOUT



"x"	Switch function
D	on - on
E	on - off - on
F	mom - on
G	mom - off - mom
H	mom - off - on

The closed contacts are opposite to the lever position.
For code F and H: "mom" is on the left hand side when looking at the brand name side.



Tolerances:	Date	Name
	10/08	dr
Modifications	Date	Name

FT 1x-VM / FT 2x-VM

knitter-switch

20 25 65

Page

1/2

Specifications:

Contact rating: max.: 0.4VA, 28V DC
 min.: 1µA, 20mV DC
 Contact resistance: 100mOhm max.
 Insulation resistance: 500MOhm min. at 250V DC
 Operating temperature: -20°C to +80°C
 Mechanical life: min. 30 000 cycles
 Soldering conditions: auto-soldering: max.: 250 +/-5°C, 7sec.
 max.: 270 +/-5°C, 5sec.
 Mounting: on pc-board
 ESD resistance: 8kV min. (between lever and terminals)
 Material: Contacts: phosphor bronze, gold plated
 Terminals: PC terminals, crimped, phosphor bronze, gold plated
 Case / lever: PES, UL94V-0, washable



Tolerances:			Date	Name	FT 1x-VM / FT 2x-VM	20 25 65	Page	
			10/08	dr				
			knitter-switch	20 25 65				2/2
Modifications	Date	Name						