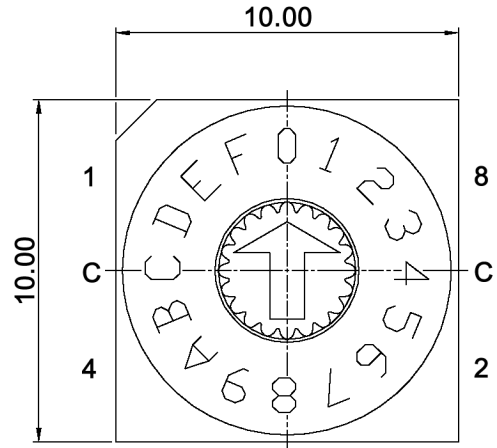
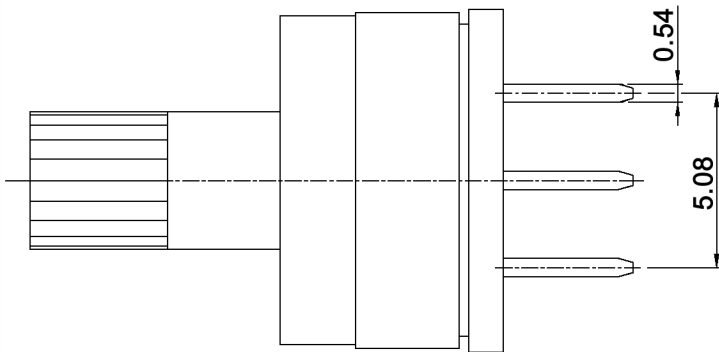
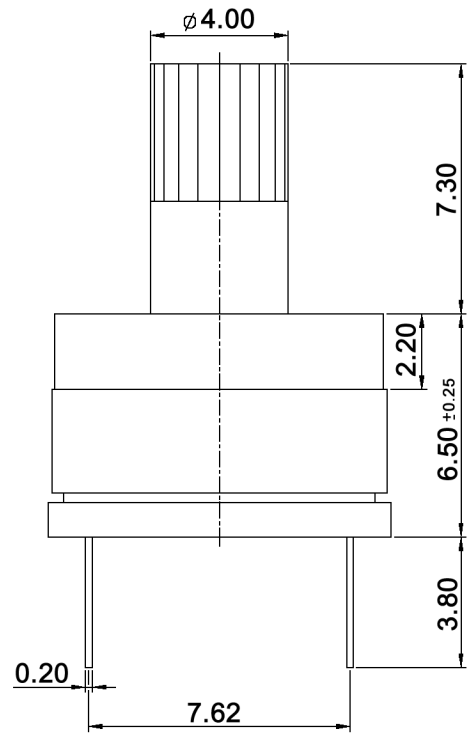
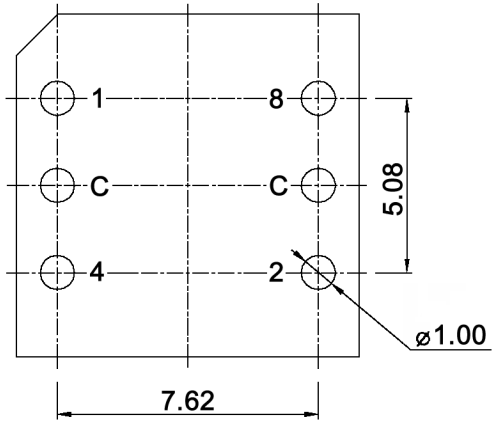


P.C.B. DIMENSION



Tolerances:			Date	Name
			02/08	dr
Soldering conditions	01/11	dr		
IP rating	07/09	dr		
Operating temperature	11/08	dr		
Modifications	Date	Name		

DRS 61116

**knitter-switch**

**30 13 86**

Page

1/2

Specifications:

Contact rating: switching: 25mA, 24V DC  
 non-switching: 100mA, 50V DC

Contact resistance: 80mOhm max.

Insulation resistance: 100MOhm min.

Mechanical life: 10 000 cycles

Operating force: 700gf max.

Operating temperature: -40°C to +85°C

Storage temperature: -40°C to +85°C

Soldering conditions: pre-heat: max. 120°C, max. 70sec.  
 wave soldering: max. 260°C, max. 10sec.

Color of actuator: grey

IP rating: IP67

Hexadecimal inverse

		Complement coded				
		C	1	2	4	8
16 P o s i t i o n s	0	●	●	●	●	●
	1	●		●	●	●
	2	●	●		●	●
	3	●			●	●
	4	●	●	●		●
	5	●		●		●
	6	●	●			●
	7	●				●
	8	●	●	●	●	
	9	●		●	●	
	A	●	●		●	
	B	●			●	
	C	●	●	●		
	D	●		●		
	E	●	●			
	F	●				



Tolerances:			Date	Name	<b>DRS 61116</b>	<b>30 13 86</b>	Page
			02/08	dr			
			<b>knitter-switch</b>				2/2
Modifications	Date	Name					