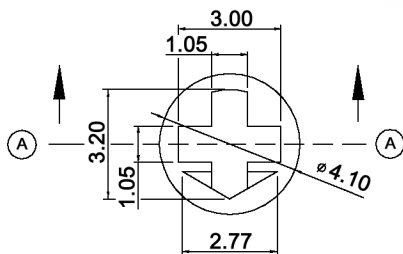
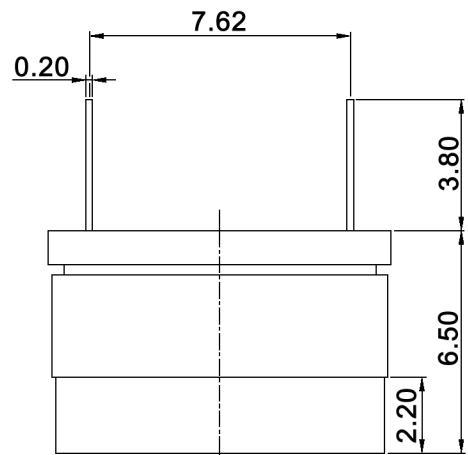
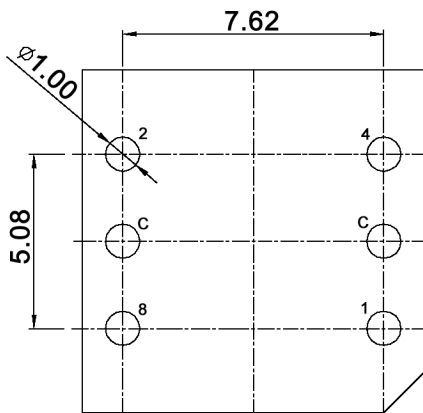
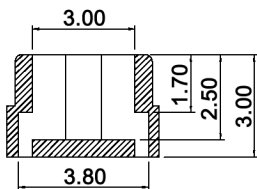


P.C.B. DIMENSION



SECTION A-A



Hexadecimal

	Real coded				
	C	1	2	4	8
0	•				
1	•	•			
2	•		•		
3	•	•	•		
4	•			•	
5	•	•		•	
6	•		•		
7	•	•	•	•	
8	•				•
9	•	•		•	•
A	•		•		•
B	•	•	•		•
C	•			•	•
D	•	•		•	•
E	•		•	•	•
F	•	•	•	•	•



Tolerances:	Date	Name
	10/10	dr
Modifications	Date	Name

DRS 60016-C

30 22 09

Page

1/2

knitter-switch

**Specifications:**

**Contact rating:** non-switching: 400mA, 24V DC  
switching: 150mA, 24V DC  
**Contact resistance:** 80mOhm max.  
**Insulation resistance:** 100MOhm min. at 250V DC for 1 minute +/-5sec.  
**Dielectric strength:** 250V AC (50/60Hz) for 1 minute  
**Operating temperature:** -40°C to +85°C  
**Electrical life:** 10 000 steps  
**Operating force:** 700gf.cm max.  
**Soldering conditions:** wave soldering: pre-heat: max. 120°C, max. 70sec.  
soldering: max. 260°C, max. 10sec.  
**Material:** Cover: PA66, light grey  
Base: PA66, black  
Actuator: POM, grey  
Contact / terminal: phosphor bronze, min. 0.07µm gold plated  
over min. 0.1µm nickel  
PCB: epoxy, min. 0.05µm gold plated  
O-ring: silicone



Tolerances:			Date	Name	<b>DRS 60016-C</b>	<b>30 22 09</b>	Page
			10/10	dr			
			<b>knitter-switch</b>	<b>2/2</b>			
Modifications	Date	Name					