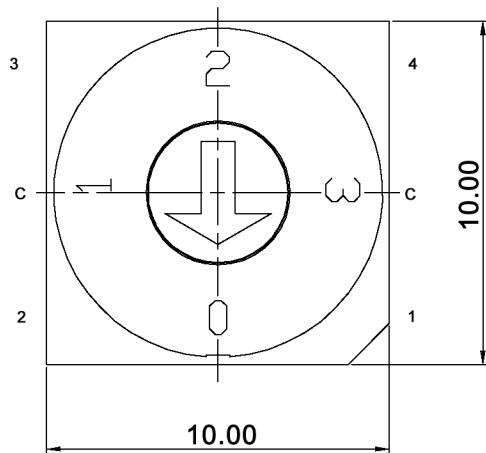
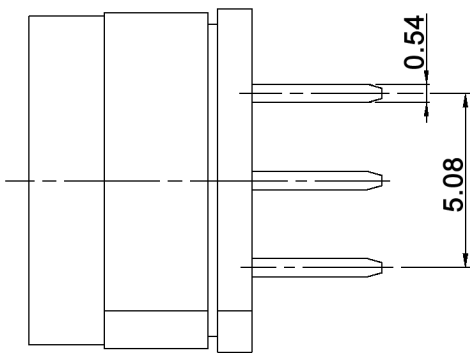
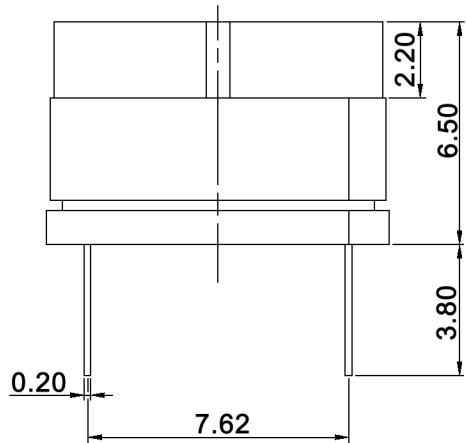
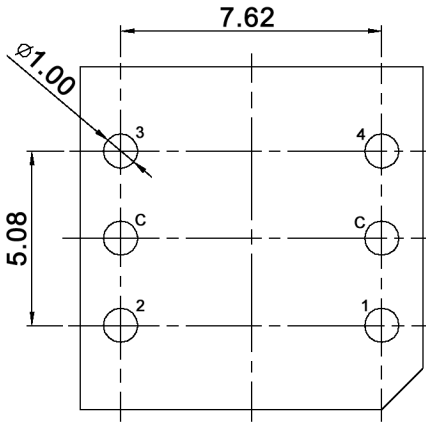


P.C.B. DIMENSION



Specifications:

- Contact rating: switching: 25mA, 24V DC
non-switching: 100mA, 50V DC
- Contact resistance: 80mOhm max.
- Insulation resistance: 100MOhm min.
- Mechanical life: 10 000 cycles
- Operating force: 700gf max.
- Operating temperature: -40°C to +85°C
- Storage temperature: -40°C to +85°C
- Soldering conditions: pre-heat: max. 120°C, max. 70sec.
wave soldering: max. 260°C, max. 10sec.
- Color of actuator: grey
- IP rating: IP67

		Dezimal				
		C	1	2	3	4
4 P o s i t i o n s	0	●				●
	1	●	●			
	2	●		●		
	3	●			●	



Tolerances:	Date	Name
	12/10	dr
Soldering conditions	01/11	dr
Modifications	Date	Name

DRS 60004-21

knitter-switch

30 22 67

Page

1/1