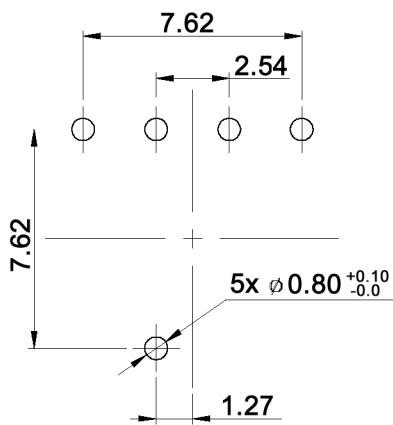


P.C.B. LAYOUT



**CIRCUIT DIAGRAM**

Code	Position									
	0	1	2	3	4	5	6	7	8	9
1		●		●		●		●		●
2			●	●			●	●		
4					●	●	●	●		
8									●	●



Tolerances: max. ±0.20mm			Date	Name
			06/10	dr
Modifications	Date	Name		

**DRS 3010 STR**

**30 21 16**

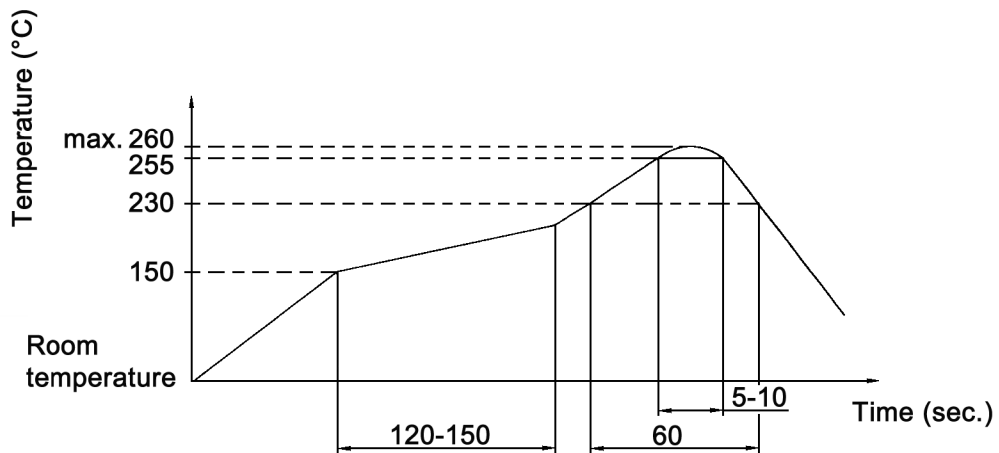
Page

1/3

**Specifications:**

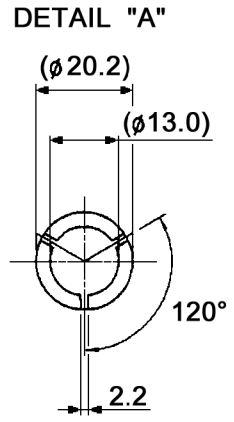
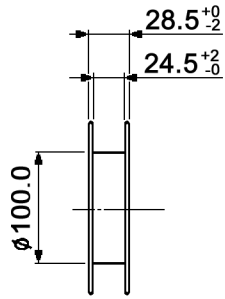
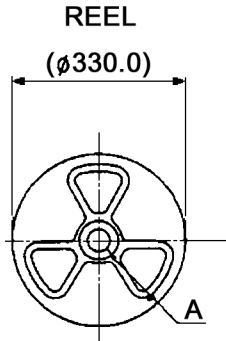
**Contact rating:** non-switching: 100mA, 50V DC  
switching: 30mA, 15V DC  
**Contact resistance:** 100mOhm max.  
**Insulation resistance:** 1 000MOhm min. at 250V DC  
**Dielectric strength:** 250V AC for 1 minute  
**Operating temperature:** -40°C to +85°C  
**Mechanical life:** 20 000 cycles min.  
**Operating force:** 250 gf.cm max.  
**Material:** Base / cover: high-temp. thermoplastic nylon UL94V-0,  
molded black  
Movable contact: alloy copper, gold plated  
Actuator: high-temp. thermoplastic nylon UL94V-0,  
color: yellow  
O-ring: silicone  
Spring: stainless steel  
Terminal: brass, gold plated

**Soldering conditions:** wave soldering: 260°C, 5sec. max.  
through hole reflow: 260 +/-5°C, 4-6sec.

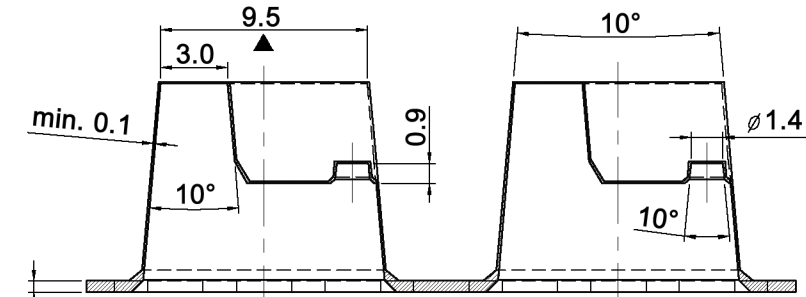


Tolerances: max. ±0.20mm			Date	Name	<b>DRS 3010 STR</b>
			06/10	dr	
			<b>knitter-switch</b>		<b>30 21 16</b>
Modifications			Date	Name	Page 2/3

Packaging:

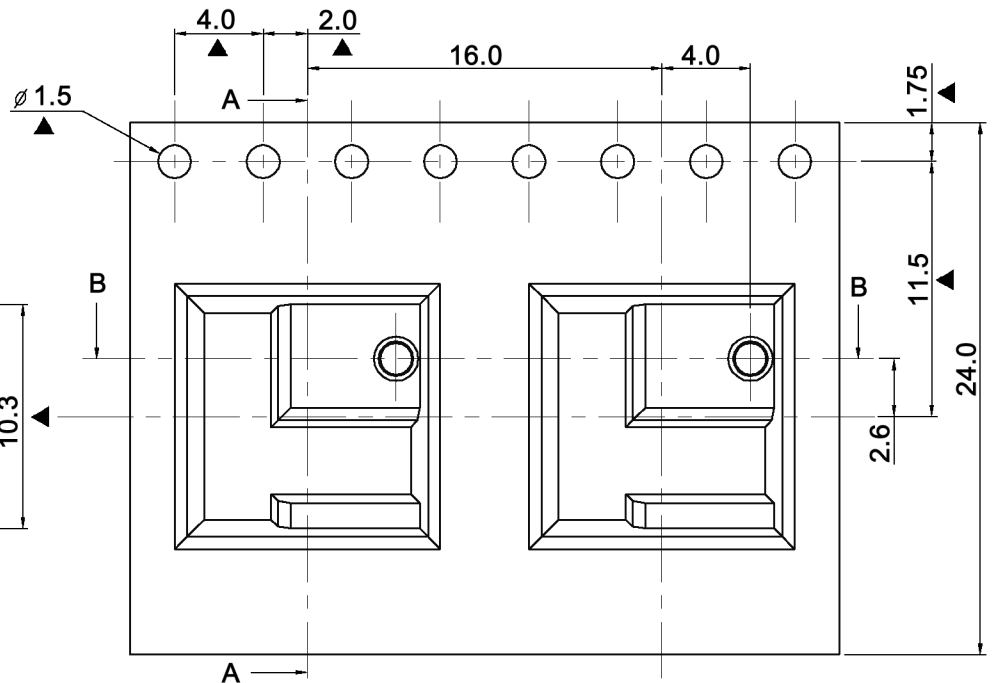
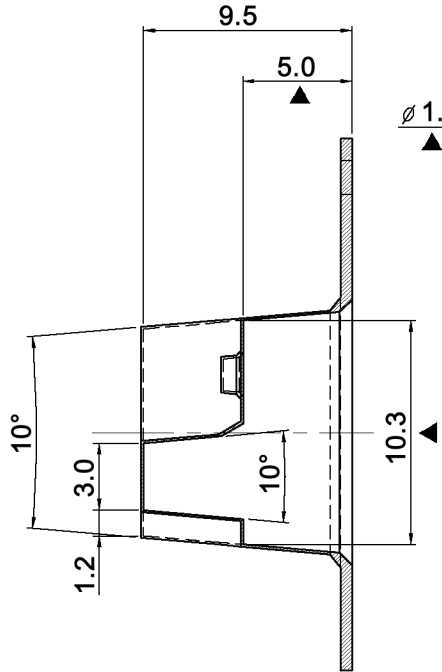


SECTION B-B



Tolerance of 10 pilot holes is ±0.2mm

SECTION A-A



Packaging unit: 250 pcs. / reel



Tolerances: max. ±0.20mm	Date	Name
	06/10	dr
Modifications	Date	Name

**DRS 3010 STR**

**knitter-switch**

**30 21 16**

Page

3/3